

EN

DE

SLO

HR

HU



SUNDIRECT
INFRARED HEATER

PE-Plus IC-Plus GD-Plus MD-Plus

Infrared Panel Heater



Installation & Operation Instructions

Version: SDUM-1801-01

Table of Contents

EN

1. Notice to purchaser
2. General Introduction
3. Safety Instructions
 - 3.1 Product related safety warnings
 - 3.2 Dangers for children and persons with limited abilities
 - 3.3 Electric safety directions
 - 3.4 Waterproof
4. How to care for your heater
 - 4.1 Cleaning
 - 4.2 Using/Working
 - 4.3 Repair
 - 4.4 Disposal
5. Installation and operation guide
 - 5.1 Description
 - 5.2 Pair to Sundirect Smart control system
 - 5.3 Dismiss the connection between receiver and remote control
 - 5.4 Installation manual for PE-Plus Series
 - 5.5 Installation manual for IC-Plus|GD-Plus|MD-Plus Series
 - 5.6 Electric power connection
6. Technical specifications
7. Warranty

1. Notice to Purchaser

Thanks for purchasing this Sundirect infrared heater. We hope you enjoy this innovative technology and that this product will bring a pleasant atmosphere to your home.

Please read these instructions carefully and keep safe for future use. Failure to comply with these instructions will void your warranty. Do not disassemble or tamper with the product at any time! Please pay special attention to the safety instructions and use the heater according to these instructions. Sundirect Technology Ltd. shall not be liable for any damage or loss occurred resulting from failure to follow these instructions.

2. General Introduction

Sundirect Infrared heaters heat objects instead of the air, making this heater much more efficient than traditional convection heaters.

The Sundirect Plus series represents a new generation of infrared panel heaters, equipped with a built-in thermostat receiver inside of the junction box (Article Number: Receiver01) on the backside of the panel. It needs to be used in conjunction with the Sundirect control system - Smart 1.0 or Smart 1.0Pro (NOT included in the box) - in order to meet the Ecodesign legislation of the EU/EC Directive 2009/125/EC.

Our remote control Smart 1.0 has the following features:

- * 7days program, 4 time zones each day
- * Adaptive start

While remote control Smart 1.0Pro is an upgraded version of Smart 1.0 and has the following features:

- * 7days program, 4 time zones each day
- * Open window technology
- * Adaptive start
- * Remote controllable by Mobile APP.

You may find detailed specifications and instructions in the manual of Smart 1.0/1.0Pro separate from this manual.

This product complies with the LVD guideline 2014/35/EU and the EMC guideline 2014/30/EU and meets the following standards:

EN60335-1:2012+A11:2014

EN60335-2-30:2009+A11:2012

EN62233:2008

Rohs 2011/65/EU

RED2014/53/EU

Read the installation and operating instructions completely before starting any installation works and save the instructions for later use.



3. Safety instructions

TO REDUCE THE RISK OF FIRE, ELECTRIC SHOCK OR INJURY:

3.1 Product related safety warnings

- Sundirect infrared heaters operate at a surface temperature of around 95°C when wall mounted. Do NOT touch the heater when switched on.
- Prolonged contact may cause injuries or burns.
- Do NOT cover the heater with anything. Covering may cause overheating and can result in fire.
- The heater should NOT be used to dry textiles and no objects shall be placed or leaned against the heater.
- Keep a distance of at least 40cm in the front and 20cm on the sides to any object, wall or ceiling. Failure to do so will cause heat to build up behind the heater and will void your warranty.
- If mounting the heater on the ceiling keep a minimum distance from the ceiling of 2cm to ensure airflow avoiding overheating of the heater.
- If integrating the heater into a ceiling grid make sure not to place any insulation material directly onto the rear of the panel to avoid overheating.

3.2 Dangers for children and persons with limited abilities

- Children or persons with limited physical, mental or sensory abilities shall not be operating, switching on, plugging in, regulating or cleaning the heater.
- Small children should be kept away from the heater unless constantly supervised.
- Do NOT operate the heater in small rooms when occupied by people not capable of leaving the room by themselves. The surface of the heater can reach a surface temperature of up to 95°C, keep out of reach of children and disabled persons.
- Keep away babies and children from all packaging material such as plastic bags to avoid danger of suffocation.

3.3 Electric safety directions

- When installing, repairing or servicing the heater it must be turned off and disconnected from power. Before installation please check if the heater is free of damages.
- If the heater or the power cord is damaged in any form do NOT use the heater and contact your Sundirect dealer for repair or replacement. Repairs, maintenance or any changes must be carried out by an authorized Sundirect dealer.
- Do NOT attempt to repair the heater by yourself, this will void your warranty.
- If the heater has been dropped do NOT operate it and contact your Sundirect dealer to make sure it is free of any damages.
- If the safety glass from the GD-Plus/MD-Plus series is damaged in any way please dismount the heater as soon as possible to avoid any injuries from possible impact of the falling glass.
- Sundirect heaters are designed to operate at 220-240V, 50Hz AC. If your supply mains do not comply with this, do NOT use the heater.

3.4 Water Proof

Sundirect infrared heaters have different IP ratings on different models. Please make sure to only install heaters with IP44 rating in humid rooms. Heaters with IPX2 ratings are not suitable to be installed in bathrooms etc. Please carefully check the specifications to confirm if your heater is suitable for installation in humid rooms.

This heater is not suited for installation outdoors. Installations in humid rooms must be carried out by a qualified electrician/installer and must comply with the local electrical safety requirements. When installing the heater in humid rooms it must be secured in such way that there is no risk of the heater falling into any water container. Never pour water on the device or put it in a water container. The installer must make sure that switches and electrical controls cannot be touched by any person in a shower/bathtub/swimming pool etc.

Sundirect shall not be liable for any injuries or damages resulting from inadequate mounting or incorrect positioning close to water sources.

4. How to care for your Sundirect heater

4.1 Cleaning

Always unplug your heater and let it cool down completely before cleaning. Never dip into water and never splash water on it. Clean the heater with a soft damp cloth. For glass models such as the GD, MD series use a soft cloth and glass cleaner. Never use a wet cloth and make sure to dry the heater when clean with a dry cloth. Do not use any abrasive materials, solvents or harsh cleaning sponges as this could cause scratches or other irreparable damage. Before operating the heater again it must be completely dry.

4.2 Using/Working

Please note that the heater may discolour with use. This is due to airborne pollution and is not a fault. If you wish to add a picture print to your heater please contact a Sundirect dealer. Do not cover your heater with a picture foil and do not paint or print the heater yourself. This might cause damage to the heating element and will void your warranty.

If you notice any noise, smells, visible changes or exceptionally high temperatures please discontinue use and contact an authorized Sundirect dealer.

4.3 Repair

Repairs must be carried out by authorized Sundirect dealers or by Sundirect directly. If you attempt to alter the product or to proceed with any repairs yourself it will void your warranty.

4.4 Disposal



Sundirect infrared heaters are electric appliances and therefore electric waste. At the end of its working life please dispose the heater in accordance with local regulations concerning electric waste.

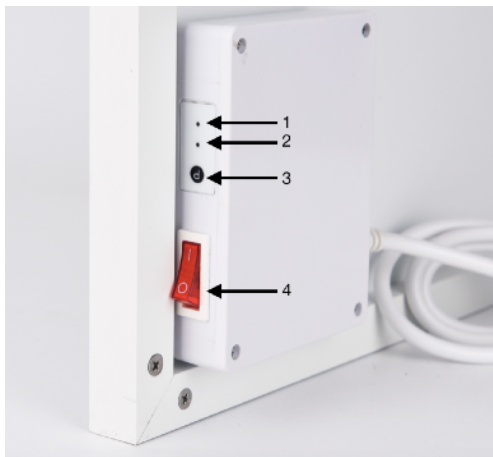
5. Installation & Operation Guide

5.1 Description

This heater is equipped with our built-in thermostat receiver - Receiver01 - on the backside of the panel. Before starting the installation, we recommend you to pair the receiver to our remote control as a first step. Follow the guide below to finish the pairing to the Smart control system (e.g. Smart 1.0, Smart 1.0Pro).

On the right see the drawing of the signal lights and button of Receiver01.

- 1) Pair status signal light (**green light**)
- 2) Heating status signal light (**red light**)
- 3) "P" button
- 4) Power switch



5.2 Pairing to Sundirect Smart control system

Step1: Plug your heater to an electrical outlet, switch the Power switch of Receiver01 on, double press the "P" button and the **"Pair signal light"** will start to flash and is ready for pairing.

Step2: Power-off the remote control Smart 1.0/Smart 1.0Pro, long press the "SET" button. The "PAIR" signal will show on the screen of the remote control. Wait until the **"Pair signal light" stops flashing and glows green to finish the pairing**. Now the pairing process is finished and the Receiver01 will only be commanded by Smart 1.0/Smart 1.0Pro.

Note: After the pairing process and once Receiver01 and Smart 1.0/Smart 1.0Pro are paired, the pair signal light will always be on and the Receiver01 will be only commanded by the Smart 1.0/Smart 1.0Pro. One Receiver01 can only pair to one Smart1.0/Smart1.0 Pro, however, One Smart 1.0/Smart 1.0Pro thermostat can be paired to several Receiver01 if they are in the same room.

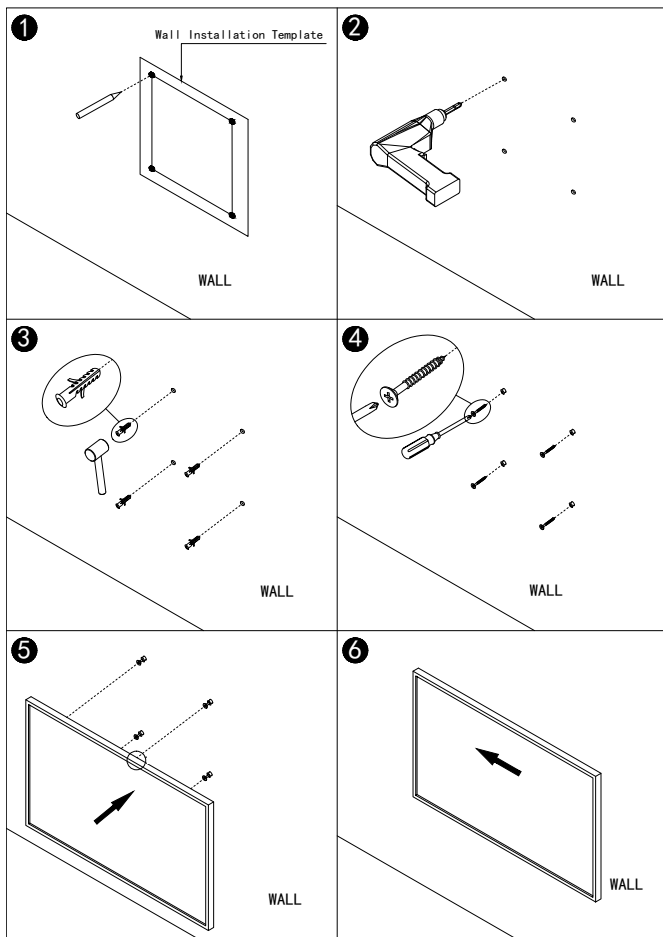
5.3 Bypass mode

Long-press the "P" button on Receiver01 until the **"Pair signal light" is off and the "Heating status signal light "on**, the panel will be reset to bypass mode. In the bypass mode, the Receiver01 is disabled and the panel is connected directly to the electricity.

5.4 Mounting installation for PE-Plus series

Note: The kit supplied in the package is designed for mounting on a solid wall. If mounted onto other types of walls, you will need appropriate fixings (not supplied). Please make sure the wall is safe to mount. We highly recommend having the panel installed by a qualified electrician or installer authorized by Sundirect.

If you wish to mount the above panels on the ceiling, please contact your Sundirect dealer to purchase the right ceiling bracket. For PE380-Plus, you need the bracket BC005, and for the other models, you will need BC004. You will find the mounting instruction in the package of BC004/BC005 separately.



Step 1. Use the supplied template to mark the position of the holes on the wall.

Step 2. Drill holes using a 8mm drill.

Step 3. Insert the dowels into the holes.

Step 4. Screw in the supplied screws to the wall.

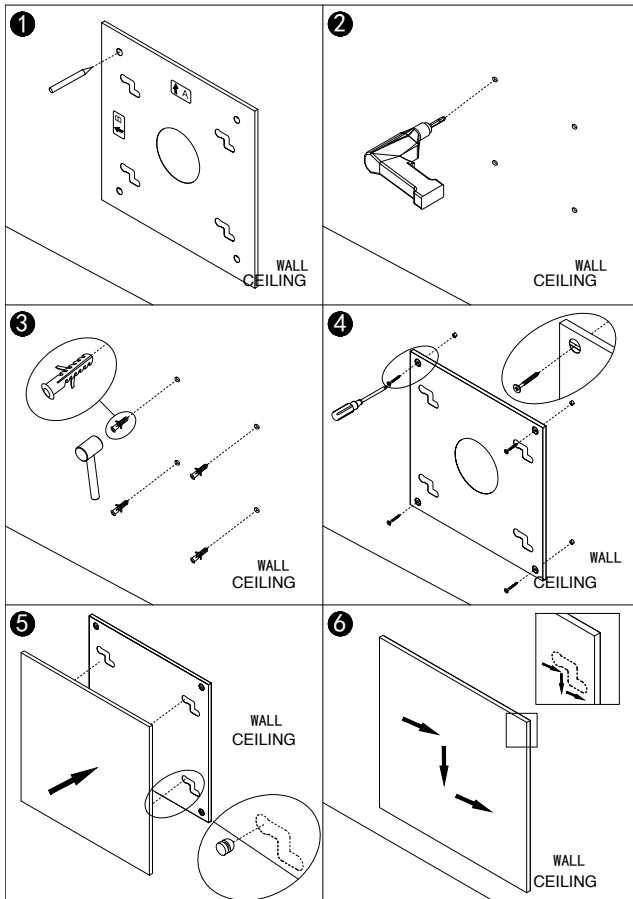
Step 5. Mount the panel on the screws.

Step 6. Move the panel to the right or left side until it's secured.

5.5 Mounting installation for IC-Plus/GD-Plus/MD-Plus series

The kit supplied in the package is designed for the mounting on a solid wall/ceiling. If mounted onto other types of wall/ceiling, you will need appropriate fixings (not supplied). Please make sure the wall/ceiling is safe to mount. We highly recommend to have the panel installed by a qualified electrician or installer authorized by Sundirect.

Please note that GD-Plus/MD-Plus series are designed only for wall mounting, don't mount them on the ceiling.



Step 1. Use the supplied mounting bracket to mark the position of the holes on the wall/ceiling. For vertical wall mounting, "A" signal will be the top of the mounting bracket. For horizontal wall mounting "B" signal will be the top of the mounting bracket.

Step 2. Drill holes using a 8mm drill.

Step 3. Insert the dowels into the holes.

Step 4. Screw the screws into the dowels through the holes on the mounting bracket.

Step 5. Mount the panel on the mounting bracket.

Step 6. Move the panel into two directions to make sure the panel is secured.

5.6 Electric power connection

Installation and electric connection should only be carried out by qualified personnel such as an electrician. National electric safety standards must be considered when wiring to this panel. This is a IEC protection Class 1 appliance and it must be earthed.

Make sure the mains power is switched off before you start the installation when hardwiring. Any fixed wiring outside the heater coming into contact with the heater must have a protection sleeving that is heat resistant of at least 90°C. Make sure that cables are not coiling and that there is no excess cable behind the heater. The length of the cable should be measured exactly to the length needed. Do not connect a heater that is damaged in any way to the power network. Before installation, make sure that the heater, cable and plug are completely free from damages. When in doubt contact your local Sundirect dealer for assistance.

6. Technical specifications:

Panels covered by these instructions are listed in the table below.

Model	Power	Size	Weight	Mounting	Built-in thermostat receiver	IP Protection
PE350-Plus	350W	60*60cm	4.1Kg	Wall/Ceiling	Yes	IPX2
PE380-Plus	380W	30*120cm	4.3Kg	Wall/Ceiling	Yes	IPX2
PE540-Plus	540W	60*90cm	6.0Kg	Wall/Ceiling	Yes	IPX2
PE700-Plus	700W	60*120cm	7.8Kg	Wall/Ceiling	Yes	IPX2
PE1000-Plus	1000W	85*120cm	11.4Kg	Wall/Ceiling	Yes	IPX2
IC400-Plus	400W	60*60cm	8.0Kg	Wall/Ceiling	Yes	IPX2
IC700-Plus	700W	62*98cm	13.8Kg	Wall/Ceiling	Yes	IPX2
IC900-Plus	900W	68*123cm	18.0Kg	Wall/Ceiling	Yes	IPX2
IC1100-Plus	1100W	63*153cm	20.0Kg	Wall/Ceiling	Yes	IPX2
GD400-Plus	400W	66*66cm	12.4Kg	Wall only	Yes	IP44
GD600-Plus	600W	60*100cm	16.4Kg	Wall only	Yes	IP44
GD800-Plus	800W	70*130cm	24.1Kg	Wall only	Yes	IP44
MD300-Plus	300W	66*66cm	12.4Kg	Wall only	Yes	IP44
MD450-Plus	450W	60*100cm	16.4Kg	Wall only	Yes	IP44
MD650-Plus	650W	70*130cm	24.1Kg	Wall only	Yes	IP44

7. Warranty

Sundirect offers a 5 year manufacturing warranty on the heating panel and 2 year manufacturing warranty on the control system (including Receiver01, Smart 1.0/Smart 1.0Pro and so on).

You can find the serial number on the last page of this user manual. Please always keep this manual in case of future warranty claims.

Within the warranty period from date of purchase, Sundirect will repair or replace your heater where the fault is due to defects in workmanship or materials. Please contact your local Sundirect dealer in the event of a warranty claim and return the heater together with proof of purchase.

The warranty covers the repair or replacement of the heater only and Sundirect shall not be liable for any other occurring costs such as installation cost or any other consequential losses however incurred. Please note that tampering with or opening the heater in any way will void your warranty. The removal of the serial number on the back of the heater will also void this warranty. All labels on the back of the heater shall not be removed.

Any damages to the heater caused by the user are not covered by this warranty. This includes scratches on the surface or the frame. Sundirect is not responsible for any damages, losses or injuries due to ingress of water or moisture, accidental damage, mishandling, external impact, repairs or adjustment by unauthorized persons or failure to follow the correct safety, maintenance and installation precautions stated in this manual.

1. **Anmerkungen**
2. Allgemeines
3. Sicherheitshinweise
 - 3.1 Produktsicherheit
 - 3.2 Gefahrenhinweise für Kinder und Menschen mit Behinderungen
 - 3.3 Elektrische Sicherheit
 - 3.4 Wasser
4. **Wartung Ihrer Sundirect Heizung**
 - 4.1 Reinigung
 - 4.2 Betrieb
 - 4.3 Reparatur
 - 4.4 Entsorgung
5. **Installationsanleitung**
 - 5.1 Beschreibung
 - 5.2 Paarung mit Sundirect Smart-Steuerungssystem
 - 5.3 Bypass Modus
 - 5.4 Montageanleitung für PE-Plus Serien
 - 5.5 Montageanleitung für IC-Plus|GD-Plus|MD-Plus Serien
 - 5.6 Elektrischer Anschluss
6. Technische Daten
7. Garantie

1. Anmerkungen

Vielen Dank, dass Sie sich für Sundirect entschieden haben. Wir hoffen Sie sind zufrieden mit der innovativen Technologie und der angenehmen Atmosphäre die dieses Produkt zu Ihnen nach Hause bringt.

Zu Ihrer eigenen Sicherheit lesen Sie sich bitte diese Betriebsanleitung sorgfältig durch. Falls Sie die Anweisungen in dieser Anleitung nicht befolgen kann die Produktgarantie verfallen. Bitte nehmen Sie keine Änderungen an dem Produkt vor! Beachten Sie bitte die Sicherheitshinweise. Sundirect kann nicht für Verlust oder Schäden haftbar gemacht werden, die aus Nichtbeachtung dieser Anweisungen entstehen.

2. Allgemeines

Sundirect Infrartheizungen erwärmen Objekte statt der Luft, was diese Heizung wesentlich effizienter macht als traditionelle Konvektionsheizungen.

Die Sundirect Plus Serie ist eine neue Generation von Infrartheizpaneelen, ausgestattet mit einem eingebauten Thermostatempfänger in der Anschlussdose (Artikelnr.: Receiver01) auf der Rückseite des Paneels. Es muss zusammen mit einem Sundirect Steuerungssystem - Smart 1.0 oder Smart 1.0Pro (nicht im Lieferumfang enthalten) - genutzt werden um die Ökodesign Richtlinie der EU - EC Richtlinie 2009/125/EC- zu erfüllen.

Unsere Fernbedienung Smart 1.0 hat folgende Funktionen:

- * 7 Tage Programm, 4 Zeitzonen pro Tag
- * Adaptiver Start

Smart 1.0Pro ist eine erweiterte Version von Smart 1.0 und hat folgende Funktionen:

- * 7 Tage Programm, 4 Zeitzonen pro Tag
- * Offene Fenstererkennung
- * Adaptiver Start
- * Fernbedienung durch App von mobilen Geräten.

Sie können die technischen Details und Anweisungen in der Bedienungsanleitung von Smart 1.0/1.0Pro finden (separat von dieser Anleitung).

Dieses Produkt entspricht der LVD 2014/35/EU und der EMC Richtlinie 2014/30/EU und erfüllt die folgenden Standards:

EN60335-1:2012+A11:2014

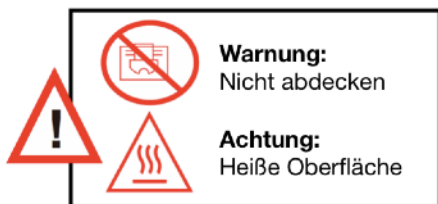
EN60335-2-30:2009+A11:2012

EN62233:2008

Rohs 2011/65/EU

RED2014/53/EU

Bitte lesen Sie sich die Bedienungsanleitung sorgfältig vor der Installation und bewahren diese für späteren Gebrauch auf.



3. Sicherheitshinweise

ZUR REDUZIERUNG DES RISIKOS VON FEUER, ELEKTRISCHEM SCHLAG ODER VERLETZUNG:

3.1 Produktsicherheit

Sundirect Infrarotheizungen haben eine Betriebstemperatur von etwa 95°C bei Wandmontage. Berühren Sie nicht die Oberfläche im Betrieb, längerer Kontakt könnte zu Verbrennungen oder Verletzungen führen. Decken Sie den Heizkörper nicht ab, dies könnte zur Überhitzung und in weiterer Folge zum Ausbrechen von Feuer führen. Die Heizung sollte nicht zum Trocknen von Textilien verwendet werden, auch der Kontakt mit anderen Objekten sollte vermieden werden. Platzieren Sie die Heizung mit einem Mindestabstand von 40cm vorne und 20cm seitlich zu anderen Objekten, Wänden und Decke. Bei Nichteinhaltung des Mindestabstandes könnte sich Hitze hinter dem Infrarotpaneel stauen und zu einem Garantieverlust führen. Bei Deckenmontage sollte die Heizung mindestens 2cm Abstand von der Decke haben um ausreichend Luftzirkulation zu ermöglichen. Der direkte Kontakt mit Isolationsmaterial bei Montage in einer Zwischendecke sollte ebenfalls vermieden werden.

3.2 Gefahrenhinweise für Kinder und Menschen mit Behinderungen

Kinder oder Personen mit eingeschränkten physischen, mentalen oder sensorischen Fähigkeiten sollten von der Bedienung oder Reinigung der Infrarotheizkörper ferngehalten werden. Kleinkinder sollten sich nur unter Aufsicht in der Nähe des Gerätes aufhalten. Betreiben Sie das Gerät nicht in kleinen Räumen ohne Fluchtmöglichkeiten im Brandfall. Die Oberflächentemperatur kann bis zu 95° erreichen. Installieren Sie die Heizung außer Berührungsreichweite von Kindern und Personen mit Behinderungen. Das Verpackungsmaterial wie Plastiktüten und Kartons sollte von Kleinkindern ferngehalten werden, da Erstickengefahr besteht.

3.3 Elektrische Sicherheit

Stecken Sie die Heizung aus, wenn Sie Montage oder Reinigungsarbeiten an und um das Gerät vornehmen. Das Gerät sollte vor Inbetriebnahme unbedingt auf Schäden untersucht werden. Sollte das Gerät oder das Stromkabel in irgendeiner Art und Weise beschädigt sein, benutzen Sie dieses nicht und kontaktieren Sie bitte umgehend einen autorisierten Sundirect Händler zwecks Reparatur

oder Ersatz. Reparaturen, Wartungen oder direkte Veränderungen am Gerät dürfen ausschließlich von einem autorisierten Sundirect Händler durchgeführt werden. Nichtbeachtung kann zu Garantieverlust führen. Wenn das Gerät fallen gelassen wurde, benutzen Sie es nicht und kontaktieren Sie einen Sundirect Händler, um sicherzustellen, dass es schadenfrei ist. Sollten Schäden am Glas eines Gerätes der GD oder MD Serie festgestellt werden sollte dieses umgehend aus der Montagehalterung genommen werden, um Verletzungen durch Glassplitter zu vermeiden. Sundirect Infrarotheizungen wurden für 220-240V, 50Hz AC konzipiert, verwenden Sie das Gerät nicht bei abweichender Stromversorgung.

3.4 Wasser

Sundirect Infrarotheizungen haben verschiedene Schutzklassen für unterschiedliche Modelle. Bitte stellen Sie sicher nur Heizungen mit Schutzklasse IP44 in Feuchträumen zu installieren. Heizungen mit Schutzklasse IPX2 sind nicht geeignet für die Montage in Bädern etc. Bitte versichern Sie sich anhand der technischen Details, dass Ihre Heizung für die Montage in Feuchträumen geeignet ist.

Dieses Gerät ist nicht für Außenbereiche geeignet und die Montage in feuchten Räumen sollte von einem Elektriker oder Sachverständigen durchgeführt werden um die lokalen Sicherheitsstandards zu gewährleisten. Bei der Montage muss darauf geachtet werden, dass das Gerät nicht in einen Wasserbehälter (wie z.B. Badewanne, Swimming Pool) fallen kann. Gießen Sie keine Flüssigkeiten auf das Gerät. Die Elektrik des Gerätes darf für Menschen in Duschen, Badewannen etc. nicht in Reichweite sein.

Sundirect kann nicht für Schäden oder Verletzungen resultierend aus fehlerhafter Montage verantwortlich gemacht werden.

4. Wartung Ihrer Sundirect Heizung

4.1 Reinigung

Vor jeder Reinigung sollte das Gerät abgesteckt werden und abkühlen. Tauchen Sie das Gerät niemals in Wasser oder leeren Flüssigkeiten darüber. Reinigen Sie das Gerät nur mit weichen feuchten Tuch. Für Glasheizungen kann zusätzlich Glasreiniger verwendet werden. Stellen Sie sicher, dass das Gerät vor Inbetriebnahme vollständig trocken ist, wischen Sie die Heizung mit einem trockenen Tuch nach der Reinigung ab. Verwenden Sie keine reibenden Materialien, Lösungen oder harsche Schwämme um Kratzer oder Schäden an der Oberfläche zu vermeiden.

4.2 Betrieb

Bitte beachten Sie, dass sich die Oberfläche des Gerätes mit der Zeit leicht verfärben kann. Dies ist hervorgerufen durch Luftverschmutzung und ist kein Defekt. Wenn Sie an einer bedruckten Version interessiert sind, kontaktieren Sie bitte einen Händler in Ihrer Nähe. Überziehen Sie das Gerät niemals mit einer Klebefolie oder bemalen oder bedrucken es selbst. Dies könnte das Heizelement beschädigen und kann zu Garantieverlust führen.

Wenn Sie Geräusche, Gerüche oder visuelle Veränderungen am Gerät feststellen sollten, kontaktieren Sie bitte umgehend Ihren Sundirect Händler und nehmen das Gerät vom Strom.

4.3 Reparatur

Reparaturen dürfen nur von Sundirect oder einem zertifizierten Händler durchgeführt werden. Jede Zuwiderhandlung führt zu umgehendem Verlust der Garantieleistung.

4.4 Entsorgung



Sundirect Infrarotheizungen sind Elektrogeräte und müssen dementsprechend entsorgt werden, bitte beachten Sie die lokalen Bedingungen und Vorschriften.

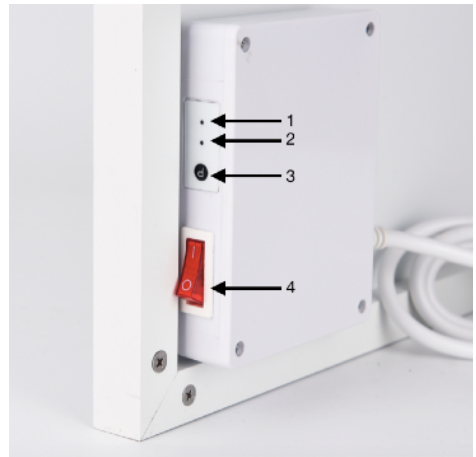
5. Installations- und Bedienungsanleitung

5.1 Beschreibung

Diese Heizung ist bereits ausgestattet mit unserem eingebauten Thermostatempfänger - Receiver01 - auf der Rückseite des Paneels. Vor der Montage des Paneels empfehlen wir, als ersten Schritt den Empfänger mit unserer Fernbedienung zu paaren. Folgen Sie der Anleitung unten um die Paarung zum Steuerungssystem (z.B. Smart 1.0, Smart 1.0Pro) durchzuführen.

Auf dem Bild rechts finden Sie das Signallicht und den Knopf von Receiver01 eingezeichnet.

- 1) Paarungs- Signalleuchte (**grünes Licht**)
- 2) Heizungs-Statussignalleuchte (**rotes Licht**)
- 3) "P" Knopf
- 4) AN/AUS-Taste



5.2 Paarung mit Sundirect Smart-Steuerungssystem

Schritt1: Stecken Sie den Stecker der Heizung in eine Steckdose ein. Schalten Sie AN/AUS-Taste des Receiver01 an. Drücken Sie die "P" taste zweimal und die **Paarungs-Signalleuchte** blinkt nun auf. Das Panel ist nun bereit für die Paarung.

Schritt2: Schalten Sie die Fernbedienung Smart 1.0/Smart 1.0Pro aus und drücken Sie die "SET" Taste lang. Das Signal "PAIR" wird auf dem Bildschirm der Fernbedienung angezeigt. Warten Sie bis die Paarungs-Signalleuchte aufhört zu blinken und grün aufleuchtet, um die Paarung abzuschließen. Der Paarungsprozess ist nun beendet und Receiver01 kann nur mit Smart 1.0/ Smart 1.0Pro gesteuert werden.

Bemerkung: Nachdem Receiver01 und Smart 1.0/Smart 1.0Pro gepaart sind, leuchtet die Paarungs-Signalleuchte permanent auf und Receiver01 kann nur mit Smart 1.0/Smart 1.0Pro gesteuert werden. Ein Receiver01 kann nur mit einer Smart1.0/Smart1.0 Pro Fernbedienung gepaart werden. Ein Smart 1.0/Smart 1.0Pro kann jedoch mit mehreren Receiver01 im selben Raum gepaart werden.

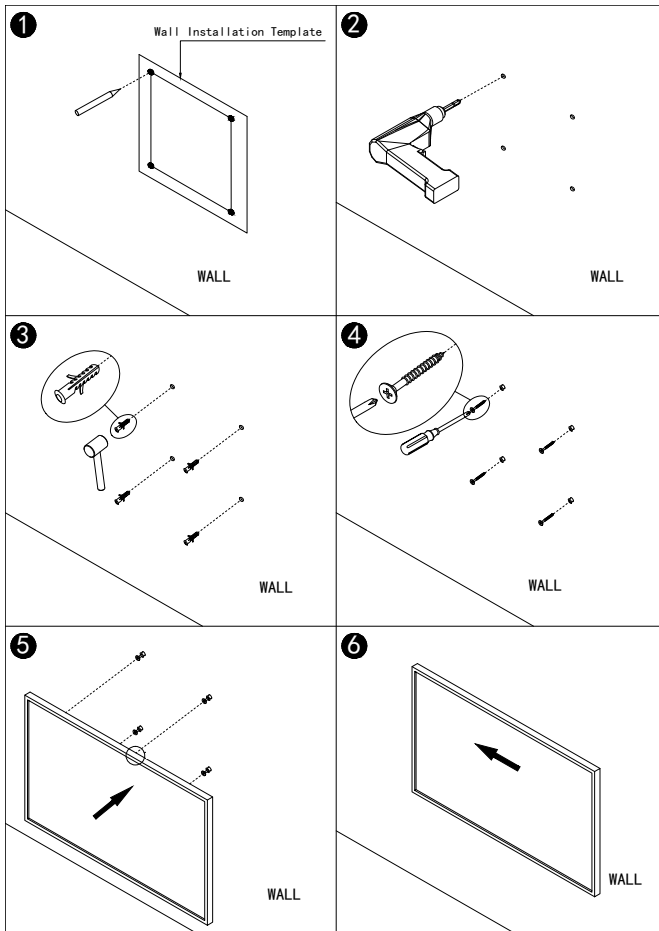
5.3 Bypass Modus

Drücken Sie den "P" Knopf des Receiver01 lang bis die Paarungs-Signalleuchte aus und die Heizungsstatuts-Signalleuchte an ist. Das Panel wird nun in den Bypass Modus zurück gesetzt. Im Bypass Modus ist Receiver01 deaktiviert und das Panel ist direkt mit dem Strom verbunden.

5.4 Montageanleitung für PE-Plus Serien

Anmerkung: Das mitgelieferte Montagematerial ist geeignet für Installation an stabilen Wänden, wenn Sie an anderen Wandtypen montieren wollen brauchen Sie passende Materialien (nicht mitgeliefert). Wir empfehlen einen qualifizierten Elektriker oder Monteur mit der Installation zu beauftragen.

Wenn Sie beabsichtigen ein Panel dieser Serie an der Decke zu installieren, kontaktieren Sie bitte Ihren Sundirect Händler, um das korrekte Montagematerial zu erhalten. Für das Modell PE380-Plus, benötigen Sie die Halterung BC005, für alle anderen Modelle Version BC004. Die Bedienungsanleitung für die Deckenmontage finden Sie im Paket von BC004/BC005.



Schritt 1. Benutzen Sie die mitgelieferte Vorlage um die Position der Bohrlöcher zu markieren.

Schritt 2. Bohren Sie nun die Löcher mit einem 8mm Bohrer.

Schritt 3. Bringen Sie nun die Dübel an.

Schritt 4. Drehen Sie die mitgelieferten Schrauben ein.

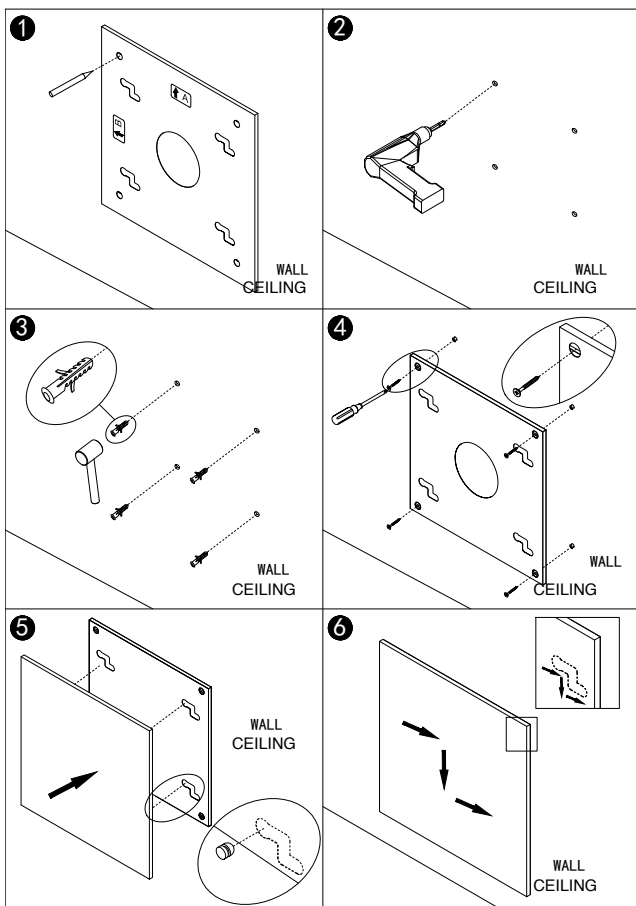
Schritt 5. Hängen Sie das Panel in die Schrauben ein.

Schritt 6. Schieben Sie das Panel nach links oder rechts bis es sicher eingerastet ist.

5.5 Montageanleitung für IC-Plus/GD-Plus/MD-Plus Serien

Das im Paket enthaltene Montageset ist konzipiert für die Montage an soliden Wänden. Wenn Sie das Paneel, an anderen Wandarten montieren, benötigen Sie angemessene Befestigungen (nicht im Lieferumfang enthalten). Bitte stellen Sie fest, dass es sicher ist das Paneel an der Wand zu installieren. Wir empfehlen Ihnen das Paneel von einem qualifizierten Elektriker oder Sundirect Installateur montieren zu lassen.

Bitte beachten Sie, dass die GD-Plus/MD-Plus Serien nur für die Wandmontage geeignet sind.



Schritt 1. Benutzen Sie die Montageschiene um die Bohrlöcher an der Wand zu markieren.

Schritt 2. Bohren Sie die Löcher mit einem 8mm Bohrer.

Schritt 3. Bringen Sie nun die Dübel an.

Schritt 4. Schrauben Sie die Montageschiene fest.

Schritt 5. Hängen Sie das Paneel an die Montageschiene.

Schritt 6. Schieben Sie das Paneel der Vorrichtung entlang bis es sicher einrastet.

5.6 Elektrischer Anschluss

Montage und elektrischer Anschluss dürfen nur von qualifiziertem Personal durchgeführt werden. Bei Verkabelung mit einem Thermostat kann der Stecker ohne Garantieverlust abgetrennt werden. Nationale Sicherheitsstandards sind bei Verkabelung und Montage unbedingt einzuhalten. Dieses Gerät ist IEC Schutzklasse 1 und muss geerdet werden.

Versichern Sie sich, dass die Stromzufuhr unterbrochen ist, wenn Sie das Gerät verkabeln. Alle Kabel, die direkt mit dem Gerät in Berührung kommen müssen Hitzeresistenz bis 90°C aufweisen. Vergewissern Sie sich, dass sich kein überschüssiges Kabel hinter dem Gerät staut. Schließen Sie das Gerät nicht an einer beschädigten Stromquelle an und vergewissern Sie sich, dass weder Kabel noch Stecker Schäden aufweisen. Stellen Sie sicher, dass auch das Gerät frei von Schäden ist. Sollten Zweifel aufkommen wird Sie ein Sundirect Händler gerne beraten.

6. Technische Daten

Diese Bedienungsanleitung ist gültig für folgende Paneele.

Modell	Leistung	Maße	Gewicht	Montage	Eingebauter Thermostatempfänger	Schutzklasse
PE350-Plus	350W	60*60cm	4.1Kg	Wand/Decke	Ja	IPX2
PE380-Plus	380W	30*120cm	4.3Kg	Wand/Decke	Ja	IPX2
PE540-Plus	540W	60*90cm	6.0Kg	Wand/Decke	Ja	IPX2
PE700-Plus	700W	60*120cm	7.8Kg	Wand/Decke	Ja	IPX2
PE1000-Plus	1000W	85*120cm	11.4Kg	Wand/Decke	Ja	IPX2
IC400-Plus	400W	60*60cm	8.0Kg	Wand/Decke	Ja	IPX2
IC700-Plus	700W	62*98cm	13.8Kg	Wand/Decke	Ja	IPX2
IC900-Plus	900W	68*123cm	18.0Kg	Wand/Decke	Ja	IPX2
IC1100-Plus	1100W	63*153cm	20.0Kg	Wand/Decke	Ja	IPX2
GD400-Plus	400W	66*66cm	12.4Kg	Wand	Ja	IP44
GD600-Plus	600W	60*100cm	16.4Kg	Wand	Ja	IP44
GD800-Plus	800W	70*130cm	24.1Kg	Wand	Ja	IP44
MD300-Plus	300W	66*66cm	12.4Kg	Wand	Ja	IP44
MD450-Plus	450W	60*100cm	16.4Kg	Wand	Ja	IP44
MD650-Plus	650W	70*130cm	24.1Kg	Wand	Ja	IP44

7. Garantie

Sundirect wird Ihre Heizung innerhalb von 5 Jahren und das Steuerungssystem (inkl. Receive01 und Smart 1.0/Smart 1.0Pro) innerhalb von 2 Jahren nach Kaufdatum reparieren oder neuwertig ersetzen, sollten Produktions- oder Materialschäden festgestellt werden. Im Garantiefall kontaktieren Sie bitte Ihren Sundirect Händler und weisen eine Kaufbestätigung vor.

Die Seriennummer Ihrer Infrartheizung kann auf der letzten Seite dieser Anleitung gefunden werden. Bitte bewahren Sie diese Anleitung sicher für mögliche Garantiefälle auf.

Die Garantieleistung umfasst nur die Reparatur oder den Ersatz des Gerätes selbst und keinesfalls andere entstandene Kosten, wie Montage oder Ähnliches. Bitte beachten Sie, dass Manipulation oder das Öffnen des Gerätes ein Erlöschen der Garantieleistung zur Folge hat. Dies gilt ebenfalls für das Entfernen des Stickers auf der Rückseite des Gerätes. Jegliche Schäden, die durch unsachgemäße Nutzung verursacht wurden, werden von der Garantie nicht gedeckt. Dies inkludiert Kratzer an der Oberfläche als auch am Rahmen.

Sundirect kann nicht für Schäden an Gerät oder Personen haftbar gemacht werden, die durch Wasser oder Feuchtigkeit entstehen, als auch für Schäden durch unsachgemäße Handhabung oder Nichtbeachtung der in diesem Handbuch geschilderten Anweisungen.

Vsebina

1. Obvestilo kupcu
2. Splošna predstavitev
3. Varnostna navodila
 - 3.1 Varnostna opozorila za uporabo grelne plošče
 - 3.2 Nevarnosti za otroke in osebe z omejenimi sposobnostmi
 - 3.3 Varnostni napotki za namestitev
 - 3.4 Vodoodpornost
4. Vzdrževanje grelne plošče Sundirect
 - 4.1 Čiščenje
 - 4.2 Uporaba
 - 4.3 Popravila
 - 4.4 Odlaganje odpadnih (grelnih) plošč
5. Namestitev in navodila za uporabo
 - 5.1 Opis naprave
 - 5.2 Povezovanje s termosati Sundirect Smart 1.0 ali Smart 1.0 Pro
 - 5.3 Prekinitev povezave med grelno ploščo in termostatom
 - 5.4 Namestitveni vodič za serijo PE-Plus
 - 5.5 Namestitveni vodič za serije IC-Plus|GD-Plus|MD-Plus
 - 5.6 Priklop na električno omrežje
6. Tehnični podatki
7. Garancija

1. Obvestilo kupcu

Zahvaljujemo se vam za nakup infrardeče grelne plošče Sundirect. Upamo, da boste z novo inovativno tehnologijo zadovoljni in bo izdelek v vašem domu ustvaril prijetno atmosfero. Prosimo vas, da si pred uporabo pozorno preberete ta navodila in jih shranite za poznejšo uporabo. Neupoštevanje teh navodil lahko povzroči razveljavitev garancije. Nikoli ne razstavljajte izdelka in ne posegajte vanj! Prosimo, da posebno pozornost namenite varnostnim navodilom in uporabljate izdelek skladno z njimi. Montažo naj opravi za to usposobljena oseba. Sundirect Technology Ltd. in IR paneli d.o.o. ne odgovarjata za škodo ali izgubo, ki bi nastala zaradi neupoštevanja teh navodil.

2. Splošna predstavitev

Serija Sundirect Plus predstavlja novo generacijo infrardečih grelnih plošč, ki so opremljene z vgrajenim termostatskim sprejemnikom na zadnji strani plošče. Priporočena je uporaba termostata Sundirect Smart 1.0 ali Smart 1.0 Pro (ni priložen) zaradi varčevanja z energijo in upoštevanja zahtev ecodesign iz EU-direktive 2009/125/ES.

Infrardeče grelne plošče Sundirect ne grejejo zraka, temveč predmete, kar naredi grelno ploščo veliko bolj učinkovito kot tradicionalni konvekcijski grelci. Na voljo so plošče različnih moči. Proizvajajo velike količine infrardečega sevanja v dolgovalovnem območju od 8 μ do 14 μ , za katero znanstveniki trdijo, da izboljšuje imunski sistem. Pomaga tudi uravnavati krvni pritisk in izboljšuje delovanje kapilarnega sistema.

Termostat Sundirect Smart 1.0 ima naslednje lastnosti:

- *7-dnevni program, 4 časovni intervali dnevno
- *Prilagodljiv zagon

Termostat Sundirect Smart 1.0 Pro, ki je nadgrajena različica Smart 1.0, pa ima naslednje lastnosti:

- *7-dnevni program, 4 časovni intervali dnevno
- * Tehnologija "odprto okno"
- *Prilagodljiv zagon
- *Povezava na brezžično omrežje (WiFi)
- *Daljinsko upravljanje z mobilno aplikacijo (Android in iOS)

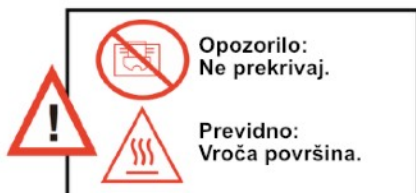
Izdelki ustrezajo smernicam LVD 2014/35/EU in smernicam EMC 2014/30/EU in izpolnjujejo naslednje standarde:

EN60335-1:2012+A11:2014

EN60335-2-30:2009+A11:2012

EN62233:2008 Rohs 2011/65/EU RED2014/53/EU

Navodila za namestitev in uporabo preberite v celoti preden začnete z nameščanjem in jih shranite za poznejšo uporabo.



3. Varnostna navodila

ZA ZMANJŠANJE NEVARNOSTI POŽARA, ELEKTRIČNEGA ŠOKA ALI POŠKODB

3.1 Varnostna opozorila za uporabo grelne plošče

- Delovna temperatura površine infrardečih grelnih plošč Sundirect je 95 °C. Ko je plošča vključena, se je NE dotikajte.
- Dotikanje grelne plošče lahko povzroči opekline.
- Grelne plošče NE prekrivajte z ničemer. Prekrivanje lahko povzroči pregrevanje, kar lahko privede do požara.
- Grelne plošče NE smete uporabljati za sušenje tekstila. Na ploščo NE smete naslanjati nobenih predmetov.
- Razdalja med grelno ploščo in drugimi predmeti naj bo vsaj 40 cm spredaj in 20 cm pri strani. Neupoštevanje navodila lahko povzroči pregrevanje na zadnji strani plošče, kar razveljavi garancijo.
- Če nameščate grelno ploščo na strop, poskrbite za minimalno razdaljo 2 cm od stropa. To zagotavlja zadosten pretok zraka, kar preprečuje pregrevanje plošče.
- Če nameščate grelno ploščo neposredno v stropno konstrukcijo, ne polagajte izolacijskih materialov na zadnjo stran plošče zaradi nevarnosti pregrevanja plošče.

3.2 Nevarnosti za otroke in osebe z omejenimi sposobnostmi

- Otroci ali osebe z omejenimi fizičnimi, psihičnimi ali zaznavnimi sposobnostmi grelne plošče ne smejo upravljati, vklapljati, priključevati, nastavljati ali čistiti.
- Majhni otroci se ne smejo zadrževati v bližini grelne plošče, razen če so pod stalnim nadzorom.
- Grelne plošče NE uporabljajte v majhnih sobah, kjer so osebe, ki je niso same zmožne zapustiti. Površina plošče lahko doseže temperaturo 95 °C. Nameščene naj bodo izven dosega otrok in invalidnih oseb.
- Vsa embalaža (npr. plastične vrečke) naj bo izven dosega majhnih otrok, zaradi nevarnosti zadušitve.

3.3 Varnostni napotki za namestitev

- Pri nameščanju, popraviljanju oz. servisiranju mora biti grelna plošča vedno izklopljena in izključena iz električnega omrežja. Pred nameščanjem preverite ali je plošča brez poškodb oz. napak.
- Če sta grelna plošča ali napajalni kabel kakorkoli poškodovana, grelne plošče NE uporabljajte. Obrnite se na prodajalca, pri katerem ste kupili izdelek Sundirect, zaradi popravila ali nadomestitve.

Popravila, vzdrževanje ali katerekoli druge posege v izdelek mora opraviti pooblaščen prodajalec Sundirecta.

- Grelne plošče NE poskušajte popravljati sami, ker to razveljavi garancijo.
- Če grelna plošča pade na tla, je NE uporabljajte. Obrnite se na vašega prodajalca, da se prepričate o brezhibnosti vašega izdelka.
- Če je varnostno steklo serije GD-Plus ali MD-Plus kakorkoli poškodovano, prosimo, čimprej odstranite grelna ploščo. Tako se boste izognili možnim poškodbam zaradi odpadanja stekla.
- Grelne plošče Sundirect so zasnovane za delovanje pri 220-240 V, 50 Hz AC. Če grelna plošča ni združljiva z vašim električnim omrežjem in navedenimi standardi, plošče NE uporabljajte.

3.4 Vodoodpornost

Infrardeče grelna plošče Sundirect imajo na različnih modelih različne stopnje zaščite IP. Prosimo, bodite pozorni, da v vlažne prostore namestite le plošče z oznako IP44. Natančno preverite specifikacije vaše plošče, da se prepričate o primernosti namestitve v vlažne prostore. Namestitev v vlažne prostore mora opraviti usposobljen električar ali monter in mora biti skladna z lokalnimi zahtevami za električno varnost. Plošča mora biti v vlažnih prostorih nameščena tako, da ni nevarnosti, da bi padla v vodo (kad, umivalnik, ipd.). Nikoli ne sme biti v stiku z vodo. Monter mora poskrbeti, da se električne vtičnice, vtiakača, kabla in stikal ne da doseči izpod prhe, iz kadi, bazena ipd. **Sundirect ne odgovarja za škodo ali poškodbe, nastale zaradi neustrezne vgradnje ali napačne namestitve v bližini vodnih virov.** Grelna plošča ni primerna za zunanje površine.

4. Vzdrževanje grelne plošče Sundirect

4.1 Čiščenje

Pred vsakim čiščenjem grelna ploščo izključite iz električnega omrežja in jo pustite, da se popolnoma ohladi. Nikoli je ne poškopite z vodo ali potapljate v vodo. Ploščo očistite z mehko vlažno krpo. Za steklene modele serije GD, MD in RC uporabite mehko krpo in čistilo za steklo. Ne uporabljajte ostrih materialov, topil ali grobih gobic, saj lahko tako povzročite praske ali drugo nepopravljivo škodo. Preden ponovno uporabite ploščo, se mora ta popolnoma posušiti.

4.2 Uporaba

Upoštevajte, da se grelna plošča pri daljši uporabi lahko obarva. To se zgodi zaradi onesnaženosti zraka in ni napaka. Plošče ne prekrivajte s folijo ali nalepkami in ne slikajte ali tiskajte na ploščo sami. Tak poseg lahko povzroči škodo na grelnem elementu in razveljavi garancijo. Če opazite kakršnekoli spremembe (hrup, vonjave) ali izjemno visoko temperaturo površine, ploščo takoj izklopite in se obrnite na pooblaščenega prodajalca Sundirecta.

4.3 Popravila

Popravila mora izvesti pooblaščen prodajalec Sundirecta ali pa neposredno Sundirect. Če posežete v izdelek sami, garancija preneha veljati.

4.4 Odlaganje odpadnih (grelnih) plošč

Infrardeče grelna plošče Sundirect so električni aparati in zato sodijo med električne odpadke. Ob koncu življenjske dobe jih je treba odstraniti v skladu z lokalnimi predpisi o električnih odpadkih.



5. Namestitev in navodila za uporabo

Grelno ploščo lahko uporabljate tako, da ogrevanje regulirate z gumbom za vklop/izklop na zadnji strani, vendar pa vsekakor priporočamo uporabo termostata. Pri nakupu grelna plošče ta ni priložen, ga je pa mogoče dokupiti. En termostat Smart1.0 ali Smart1.0 Pro lahko upravlja več grelnih plošč, če so v istem prostoru.

Za nižjo porabo električne energije in večji grelni učinek grelno ploščo montirajte po naslednjih navodilih.

V večjih prostorih (nad 10 m²) **priporočamo stropno namestitev na sredini prostora**, še posebej če so tla obložena s keramiko ali lesom, saj dobro akumulirata toploto, s tem pa pridobimo tudi učinek talnega gretja. Če je grelna plošča vsaj približno enako oddaljena od vseh sten, se toplota tudi enakomerno razporedi po celem prostoru. Če je strop višji od 3 m, je grelno ploščo treba spustiti niže, da se doseže boljši grelni učinek. Prosimo, da nas za nosilce tovrstne montaže kontaktirate.

Grelne plošče ne montirajte neposredno nad mestom, kjer se nepretrgoma zadržujete več ur (postelja, delovno mesto itd...).

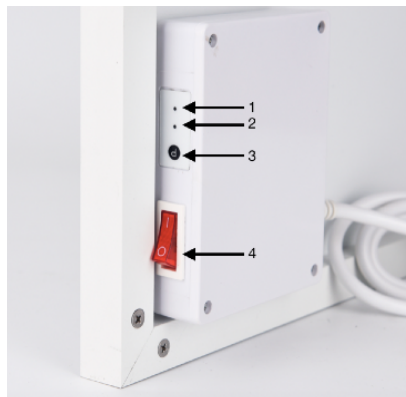
Pri stenski montaži, če stropna ni možna, predlagamo namestitev na zunanjo steno prostora, tako da se ogrevajo notranje stene. Grelne plošče ne smemo namestiti nasproti okna, saj ta ne akumulira toplote. Montaža naj bo na višini približno 1,5 m. Ni priporočljivo, da je nasprotna stena od grelna plošče oddaljena več kot 4 m. Pomembno je, da neposredno pred grelno ploščo ni večjih predmetov, ki bi infrardečim žarkom lahko preprečevali širjenje po prostoru.

5.1 Opis naprave

Grelna plošča ima na zadnji strani vgrajen termostatski sprejemnik. Priporočamo, da pred namestitvijo vzpostavite povezavo med grelno ploščo in termostatom Smart 1.0 ali Smart 1.0 Pro po naslednjih navodilih.

Na desni strani so na sliki prikazani položaji signalnih LED lučk, tipke in stikala za vklop na grelni plošči.

- 1) Lučka za povezavo s termostatom (**zelena**)
- 2) Lučka za delovanje (**rdeča**)
- 3) Tipka "P"
- 4) Stikalo za vklop



5.2. Povezovanje IR grelne plošče s termostati Sundirect Smart 1.0 ali Smart 1.0 Pro

1. korak: grelno ploščo vključite v električno vtičnico in **vklopite stikalo** na zadnji strani plošče (z 0 na I)
2. korak: **dvakrat pritisnite na tipko "P"** in lučka za povezovanje bo začela utripati zeleno.
3. korak: **izklopite termostat in nato držite tipko "SET"**. Na zaslonu se bo prikazala beseda "PAIR" ("povezovanje"). **Počakajte, da beseda "PAIR" na zaslonu izgine**. Medtem bo lučka za povezovanje prenehala utripati in zasvetila zeleno, kar pomeni, da je postopek povezovanja plošče s termostatom zaključen.
4. korak: izklopite grelno ploščo, in ko je ohlajena, lahko začnete z namestitvijo.

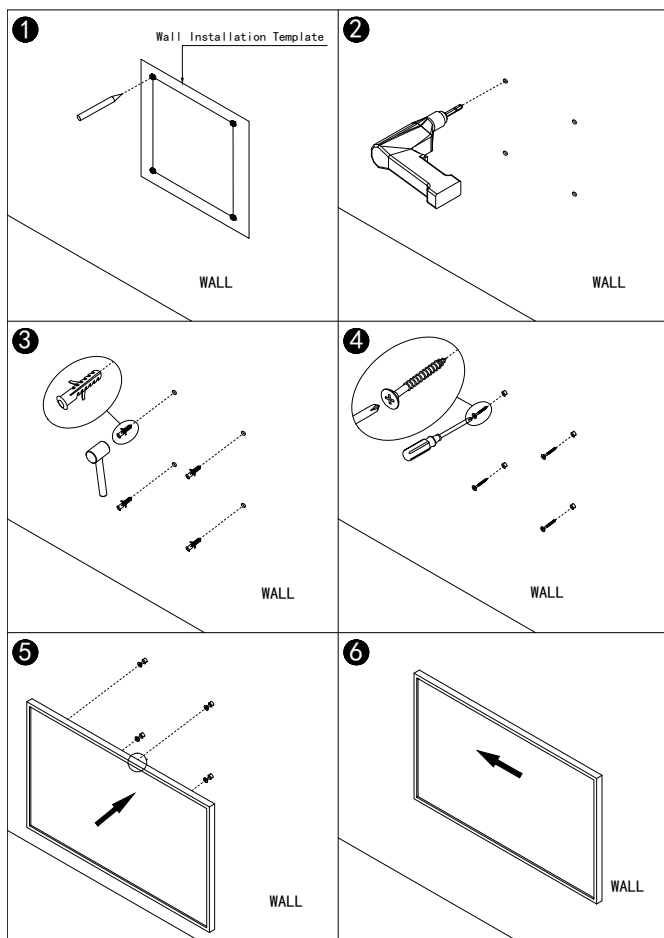
Opomba: po koncu postopka bo zelena lučka za povezovanje gorela neprestano in grelno ploščo bo nadzoroval termostat. En termostat Smart 1.0 ali Smart 1.0 Pro lahko upravlja več grelnih plošč, če so v istem prostoru.

5.3 Uporaba IR grelne plošče brez termostata Sundirect Smart 1.0 ali Smart 1.0 Pro

1. korak: grelno ploščo vključite v električno vtičnico in **vklopite stikalo** na zadnji strani plošče (z 0 na I).
2. korak: **držite tipko "P"** dokler zelena lučka za povezovanje ne ugasne in zasveti rdeča lučka.
3. korak: grelno ploščo sedaj upravljate le s stikalom.

5.4 Namestitveni vodič za serijo PE-Plus

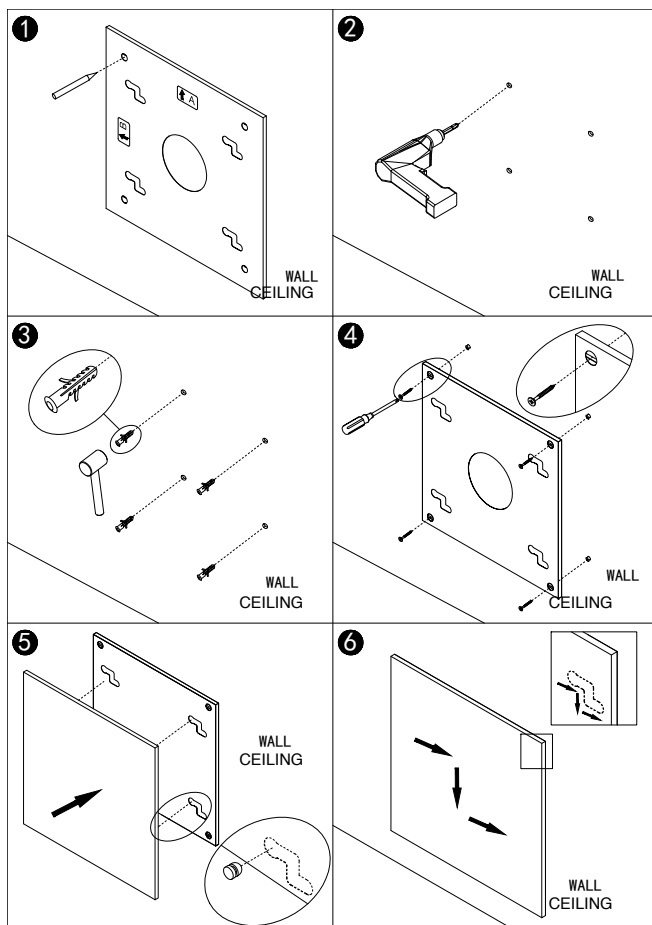
Opomba: priloženi montažni komplet je namenjen za pritrditve na zidano podlago. Za nameščanje na druge podlage (npr. les, mavčne plošče), boste potrebovali druga ustrezna pritrdila (ni priloženo). Prepričajte se, da je stena varna za montažo. Priporočamo, da ploščo namesti usposobljen monter ali električar. Če želite gredno ploščo pritrčiti na strop, so navodila priložena k stropnemu nosilcu.



5.5 Namestitveni vodič za serije IC-Plus|GD-Plus|MD-Plus

Komplet, ki je priložen v paketu, je zasnovan za montažo na trdno steno oz. strop. Za nameščanje na druge vrste sten (npr. les, mavčne plošče), boste potrebovali ustrezna pritrdila (ni priloženo). Prepričajte se, da je stena oz. strop varen za montažo. Priporočamo, da ploščo namesti usposobljen monter ali električar.

Opomba: Seriji GD-Plus/MD-Plus sta zasnovani samo za montažo na steno. NE montirajte jih na strop.



1. korak: za označevanje lukenj na steni oz. stropu uporabite priloženi nosilec. Pri pokončni montaži bo zgornji del nosilca označevala oznaka "A", pri vodoravni montaži pa oznaka "B".
2. korak: luknje izvrtajte s svedrom debeline 8 mm.
3. korak: vložke vstavite v luknje.
4. korak: priložene vijake privijte v vložke skozi luknje nosilca.
5. korak: ploščo nataknite na nosilec.
6. korak: ploščo premikajte v začrtani smeri, dokler se ne zaskoči in je varno pričvrščena.

5.6 Priklop na električno omrežje

Namestitev in električno vezavo naj opravi strokovnjak, kot je električar. Plošča mora biti priključena v skladu s standardi električne varnosti. Aparat ustreza varnostnemu standardu IEC razred 1 in mora biti ozemljen.

Pred začetkom nameščanja se prepričajte, da je dovod elektrike prekinjen oz. varovalka izklopljena. Fiksna napeljava, ki vodi do plošče, mora biti izolirana z materialom, ki je toplotno odporen na najmanj 90 ° C. Prepričajte se, da kablji niso poškodovani ali zviti in da preostanek kabla ni nameščen za grelno ploščo. Kabel je treba odmeriti natanko do potrebne dolžine. Kakorkoli poškodovane grelne plošče ne priključujte na električno omrežje. Pred namestitvijo se prepričajte, da so grelna plošča, kabel in vtič popolnoma brezhibni. Če ste v dvomih, se za pomoč obrnite na vašega prodajalca Sundirecta.

6. Tehnični podatki:

Plošče, zajete v teh navodilih, so navedene v spodnji tabeli.

Model	Moč	Velikost	Teža	Namestitev	Vgrajen termostatski sprejemnik	IP Zaščita
PE350-Plus	350W	60*60cm	4.1Kg	Stena/Strop	Da	IPX2
PE380-Plus	380W	30*120cm	4.3Kg	Stena/Strop	Da	IPX2
PE540-Plus	540W	60*90cm	6.0Kg	Stena/Strop	Da	IPX2
PE700-Plus	700W	60*120cm	7.8Kg	Stena/Strop	Da	IPX2
PE1000-Plus	1000W	85*120cm	11.4Kg	Stena/Strop	Da	IPX2
IC400-Plus	400W	60*60cm	8.0Kg	Stena/Strop	Da	IPX2
IC700-Plus	700W	62*98cm	13.8Kg	Stena/Strop	Da	IPX2
IC900-Plus	900W	68*123cm	18.0Kg	Stena/Strop	Da	IPX2
IC1100-Plus	1100W	63*153cm	20.0Kg	Stena/Strop	Da	IPX2
GD400-Plus	400W	66*66cm	12.4Kg	Samo stena	Da	IP44
GD600-Plus	600W	60*100cm	16.4Kg	Samo stena	Da	IP44
GD800-Plus	800W	70*130cm	24.1Kg	Samo stena	Da	IP44
MD300-Plus	300W	66*66cm	12.4Kg	Samo stena	Da	IP44
MD450-Plus	450W	60*100cm	16.4Kg	Samo stena	Da	IP44
MD650-Plus	650W	70*130cm	24.1Kg	Samo stena	Da	IP44

7. Garancija

Podjetje Sundirect ponuja 5-letno garancijo na grelno ploščo in 2-letno garancijo na nadzorni sistem (kar vključuje sprejemnik, upravljalnik Smart1.0/Smart1.0 Pro, itd.).

Serijsko številko najdete na zadnji strani navodil za uporabo. Prosimo, da ta navodila shranite zaradi morebitnih prihodnjih garancijskih zahtevkov. Če nastane okvara, ki je posledica napake v izdelavi ali materialu, bo Sundirect v garancijskem obdobju od datuma nakupa vašo grelno ploščo popravil ali zamenjal. V primeru garancijskega zahtevka prosimo kontaktirajte vašega lokalnega prodajalca Sundirecta in vrnite grelno ploščo skupaj s potrdilom o nakupu. Garancija zajema samo popravilo ali zamenjavo grelne plošče, zato Sundirect ne odgovarja za druge nastale stroške, kot so stroški namestitve ali katerekoli druge posledični stroški.

Upoštevajte, da odpiranje grelne plošče ali kakršenkoli poseg vanjo, kakor tudi odstranitev serijske številke na hrbtni strani povzroči razveljavitev garancije. Na zadnjem delu Smart1.0 ne smete odstraniti nobene etikete. Garancija ne zajema nobenih poškodb, notranjih ali zunanjih, ki jih povzroči uporabnik. Sundirect ne odgovarja za kakršnokoli škodo, izpad dohodka ali poškodbe zaradi vdora vode ali vlage, za nenamerno povzročeno škodo, nepravilno uporabo, za popravila ali namestitve s strani nepooblaščenih oseb ter neupoštevanje navodil za varnost, vzdrževanje in montažo, navedenih v teh navodilih.

Sadržaj

1. Obavijest kupcu
2. Opći uvod
3. Sigurnosne upute
 - 3.1 Sigurnosna upozorenja vezana uz proizvod
 - 3.2 Opasnosti za djecu i osobe s ograničenim sposobnostima
 - 3.3 Upute o električnoj sigurnosti
 - 3.4. Vodootpornost
4. Održavanje vašeg Sundirect grijača
 - 4.1. Čišćenje
 - 4.2. Uporaba/ Rad
 - 4.3. Popravke
 - 4.4. Odlaganje
5. Upute za ugradnju i rukovanje
 - 5.1 Opis
 - 5.2 Spajanje IC grijaće ploče s termostatima Sundirect Smart 1.0 ili Smart 1.0 Pro
 - 5.3 Koristite IC grijač bez termostata Sundirect Smart 1.0 ili Smart 1.0 Pro
 - 5.4 Instalacijski priručnik za seriju PE-Plus
 - 5.5 Instalacijski priručnik za serije IC-Plus | GD-Plus | MD-Plus
 - 5.6 Električno povezivanje
6. Tehničke specifikacije
7. Garancija

1. Obavijest kupcu

Hvala Vam na kupovini ovog Sundirect infracrvenog grijača. Nadamo se da ćete uživati u ovoj inovativnoj tehnologiji i da će ovaj proizvod donijeti ugodnu atmosferu vašem domu. Molimo Vas da pažljivo pročitate ove upute i da ih čuvate na sigurnom za buduću upotrebu. Nepoštivanje ovih uputa poništava vašu garanciju. Nemojte nikad rastavljati proizvod ili vršiti neovlaštene zahvate na njemu! Molimo Vas da obratite posebnu pozornost na sigurnosne upute i koristite grijač u skladu s ovim uputama. Sundirect Technology Ltd. neće biti odgovoran za bilo kakvu štetu ili gubitak nastalu uslijed nepoštivanja ovih uputa.

2. Opći uvod

Sundirect infracrveni grijači zagrijavaju objekte umjesto zraka, čineći ovaj grijač puno učinkovitijim od tradicionalnih konvekcijskih grijača.

Serijski Sundirect Plus predstavlja novu generaciju grijača s infracrvenim pločama, opremljenih ugrađenim termostatskim prijemnikom unutar spojne kutije na stražnjoj strani ploče. On se upotrebljava zajedno s termostatom Sundirect - Smart 1.0 ili Smart 1.0 Pro (NIJE uključen u kutiju) - kako bi se zadovoljila Ekodizajn ekološka legislativa EU / EC u skladu s Direktivom 2009/125/EC.

Naš termostat Smart 1.0 ima sljedeće karakteristike:

- * 7-dnevno programiranje, 4 vremenske zone svaki dan
- * Prilagodljivi start

Dok je termostat Smart 1.0 Pro unaprijedena verzija Smart 1.0 i ima sljedeće karakteristike:

- * 7-dnevno programiranje, 4 vremenske zone svaki dan
- * Tehnologija otvorenog prozora
- * Prilagodljivi start
- * Mogućnost daljinskog upravljanja putem mobilne aplikacije

Detaljne specifikacije i upute potražite u zasebnom priručniku Smart 1.0 / 1.0 Pro van ovog priručnika.

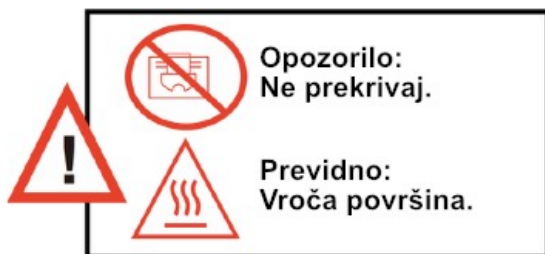
Proizvodi su u skladu s smjernicama LVD 2014/35 / EU i smjernicama EMC 2014/30 / EU i zadovoljavaju sljedeće standarde:

EN60335-1:2012+A11:2014

EN60335-2-30:2009+A11:2012

EN62233:2008 Rohns 2011/65/EU RED2014/53/EU

Pročitajte u potpunosti upute za instalaciju i uporabu prije početka bilo kakvih instalacijskih radova i sačuvajte upute za naknadnu uporabu.



3. Sigurnosne upute

SMANJENJE RIZIKA OD POŽARA, ELEKTRIČNOG ŠOKA ILI OZLJEDE

3.1 Sigurnosna upozorenja vezana uz proizvod

- Sundirect infracrveni grijači rade na površinskoj temperaturi od oko 95 ° C. NEMOJTE dodirivati grijač kad je uključen.
- Dugotrajni kontakt može uzrokovati ozljede ili opekline.
- NEMOJTE prekrivati grijač bilo čime. Pokrivanje može uzrokovati pregrijavanje i može dovesti do požara.
- Grijač se NE SMIJE koristiti za sušenje tkanina i nikakvi predmeti ne smiju biti postavljeni ili naslonjeni na grijač.
- Održavajte udaljenost od najmanje 40 cm na prednjoj strani i 20 cm na bočnim stranama u odnosu na bilo koji predmet, zid ili strop. Ako to ne učinite, doći će do pregrijavanja iza grijača i time će vaša garancija biti poništena.
- Ako ugrađujete grijač na strop, držite minimalnu udaljenost od stropa od 2 cm kako biste osigurali protok zraka, i izbjegli pregrijavanje grijača.
- Ako se grijač ugrađuje u stropnu rešetku, nemojte postavljati izolacijske materijale izravno na stražnju stranu ploče kako biste izbjegli pregrijavanje.

3.2 Opasnosti za djecu i osobe s ograničenim sposobnostima

- Djeca ili osobe s ograničenim tjelesnim, mentalnim ili osjetilnim sposobnostima ne smiju rukovati, uključivati, povezivati, podešavati ili čistiti grijalicu.
- Malu djecu treba držati podalje od grijalice, osim ako nisu pod stalnim nadzorom.
- NEMOJTE koristiti grijalicu u malim prostorijama kada su u njima osobe koje nisu sposobne samostalno napustiti sobu. Površina grijača može postići temperaturu površine do 95 ° C, i grijače treba držati izvan doseg djece i osoba s invaliditetom.
- Držite bebe i djecu podalje od svih ambalažnih materijala kao što su plastične vrećice kako biste izbjegli opasnost od gušenja.

3.3 Upute o električnoj sigurnosti

- Pri instalaciji, popravcima ili servisiranju, grijač mora biti isključen i odspojen od napajanja. Molimo Vas da prije instalacije provjerite da grijač nema oštećenja.

- Ako je grijač ili kabel za napajanje oštećen na bilo koji način, nemojte koristiti grijač i kontaktirajte svog Sundirect prodavača radi popravka ili zamjene. Popravke, održavanje ili bilo kakve izmjene mora obavljati ovlašteni Sundirect prodavač.
- NEMOJTE sami pokušavati popraviti grijač, to će poništiti vašu garanciju.
- Ako je došlo do pada grijača, NEMOJTE ga koristiti i kontaktirajte svog Sundirect prodavača kako biste bili sigurni da nema nikakvih oštećenja.
- Ako je sigurnosno staklo iz serije GD-Plus / MD-Plus oštećeno na bilo koji način, molimo Vas da skinete grijač što je prije moguće kako biste izbjegli eventualne ozljede zbog mogućeg pada stakla.
- Sundirect grijači su dizajnirani za rad na 220-240V, 50Hz AC. Ako vaše utičnice za struju nisu u skladu s navedenim, NEMOJTE koristiti grijač.

3.4 Vodootpornost

Sundirect infracrveni grijači imaju različite IP razine zaštite na različitim modelima. Vodite računa da u vlažne prostorije ugradite grijače s IP44 razinom zaštite. Molimo Vas da pažljivo provjerite specifikacije kako biste potvrdili je li vaš grijač prikladan za ugradnju u vlažne prostorije. Ovaj grijač nije prikladan za instalaciju na otvorenom. Instalacije u vlažnim prostorijama mora provesti kvalificirani električar/instalater i moraju biti u skladu s lokalnim zahtjevima električne sigurnosti.

Prilikom ugradnje grijača u vlažne prostorije, grijač se mora pričvrstiti na takav način da ne postoji nikakva opasnost da grijač padne u bilo kakvu posudu s vodom. Nikada nemojte sipati vodu na uređaj i nemojte ga stavljati u posude za vodu. Instalater mora osigurati da nitko pod tušem / u kadi / u bazenu itd. ne može dodirivati prekidače i električne kontrole.

Sundirect ne snosi odgovornost za bilo kakve ozljede ili oštećenja koja proizlaze iz neadekvatnog montiranja ili nepravilnog pozicioniranja u blizini izvora vode.

4. Održavanje vašeg Sundirect grijača

4.1 Čišćenje

Uvijek iskopčajte grijač iz struje i pustite da se potpuno ohladi prije čišćenja. Nikada nemojte uranjati grijač u vodu i nikada ne prskajte vodu po njemu. Očistite grijač mekom vlažnom krpom. Za staklene modele kao što su GD, MD i RC serije, koristite meku krpu i čistač za staklo. Nikada ne koristite mokru tkaninu i vodite računa da osušite grijač kada čistite suhom krpom. Nemojte koristiti abrazivne materijale, otapala ili grube spužve za čišćenje jer to može uzrokovati ogrebotine ili drugu nepopravljivu štetu. Prije ponovnog rada, grijač mora biti potpuno suh.

4.2 Uporaba/ Rad

Molimo Vas da imate na umu da grijač tijekom uporabe može gubiti ili mijenjati boju. To nije defekt, već do toga dolazi zbog zagađenja zraka. Ako želite dodati slikovni tisak na grijač, molimo da se obratite Sundirect prodavaču. Nemojte pokrivati vaš grijač slikovnom folijom i nemojte sami bojiti grijač ili dodavati tisak na njega. To može prouzročiti oštećenje grijnog elementa i poništiti vašu garanciju.

Ako primijetite bilo kakvu buku, mirise, vidljive promjene ili izuzetno visoke temperature, molimo vas da prekinete s korištenjem grijača i kontaktirate ovlaštenog Sundirect prodavača.

4.3 Popravke

Popravke moraju vršiti Sundirect ovlašteni prodavači ili Sundirect izravno. Ako pokušate vršiti izmjene na proizvodu ili samostalno vršiti popravke, poništiti ćete vašu garanciju.



4.4 Odlaganje

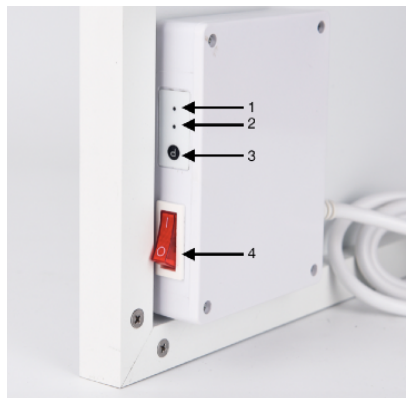
Sundirect infracrveni grijači su električni aparati i stoga spadaju u električni otpad. Na kraju radnog vijeka grijača, molimo Vas da izvršite njegovo odlaganje u skladu s lokalnim propisima po pitanju električnog otpada.

5. Upute za ugradnju i rukovanje

5.1 Opis

Ovaj grijač je opremljen našim ugrađenim termostatskim prijemnikom na stražnjoj strani ploče. Prije početka instalacije, preporučujemo vam da kao prvi korak izvršite uvezivanje prijemnika s našim daljinskim upravljačem. Slijedite upute ispod kako biste dovršili uvezivanje s Smart termostata (npr. Smart 1.0, Smart 1.0 Pro). S desne strane pogledajte crtež signalnih LED žaruljica i tipki.

- 1) Signalno svjetlo statusa spajanja (zeleno svjetlo)
- 2) Signalno svjetlo statusa grijanja (crveno svjetlo)
- 3) Tipka "P"
- 4) Prekidač napajanja



5.2 Spajanje IC grijaće ploče s termostata Sundirect Smart 1.0 ili Smart 1.0 Pro

Korak 1: Priključite grijač na električnu utičnicu, uključite prekidač za napajanje.

Korak 2: Dvaput pritisnite tipku "P" i "Pair status signal light" (signalno svjetlo statusa uvezanosti) će početi bljeskati zeleno.

Korak 3: Isključite termostat i pritisnite duže tipku "SET". Signal "PAIR" (uvezivanje) će se prikazati na zaslonu daljinskog upravljača. Pričekajte da "PAIR" signal nestane na zaslonu da biste dovršili uvezivanje. U međuvremenu će "Pair signal light" signalno svjetlo prestati treptati i početi svijetliti zelenom bojom. Tada je proces uvezivanja završen i grijačem će se upravljati samo od strane termostata.

Korak 4: Isključite ploču i provjerite je li ploča ohlađena prije početka instalacije.

Napomena: Nakon procesa uvezivanja, onda kada grijač i Smart 1.0 / Smart 1.0 Pro budu uvezani, signalno svjetlo statusa uvezanosti uvijek će biti uključeno, a grijačem će se upravljati samo od strane Smart 1.0 / Smart 1.0 Pro. Jedan Smart 1.0 / Smart 1.0Pro termostat može se uvezati sa nekoliko grijača ako su u istoj prostoriji.

5.3 Koristite IC grijač bez termostata Sundirect Smart 1.0 ili Smart 1.0 Pro

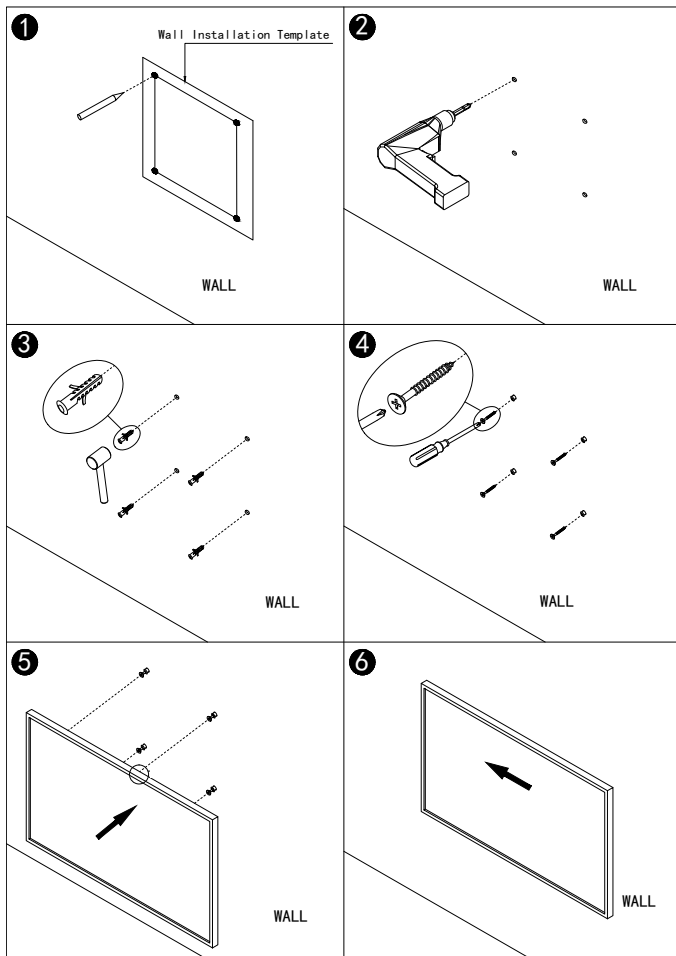
Korak 1: Priključite grijač na električnu utičnicu, uključite prekidač za napajanje na stražnjoj strani ploče (od 0 do I).

Korak 2: Pritisnite duže tipku "P" na grijaču sve dok se zeleno svjetlo ne isključi i počinje sjati crveno.

Korak 3: sada kontrolirate grijaču ploču samo s prekidačem.

5.4 Instalacijski priručnik za seriju PE-Plus

Napomena: Komplet koji se isporučuje u paketu namijenjen je za ugradnju na čvrst zid. Ako se montiranje vrši na drugim vrstama zidova, trebat će vam odgovarajuće spojke (nisu dio paketa koji se isporučuje). Provjerite je li zid siguran za montiranje. Izričito preporučujemo da ploču instalira kvalificirani električar ili instalater ovlašten od strane tvrtke Sundirect.



Korak 1. Koristite isporučeni predložak za označavanje položaja rupica na zidu.

Korak 2. Izbušite rupice pomoću 8 mm bušilice.

Korak 3. Umetnite tiple u rupice.

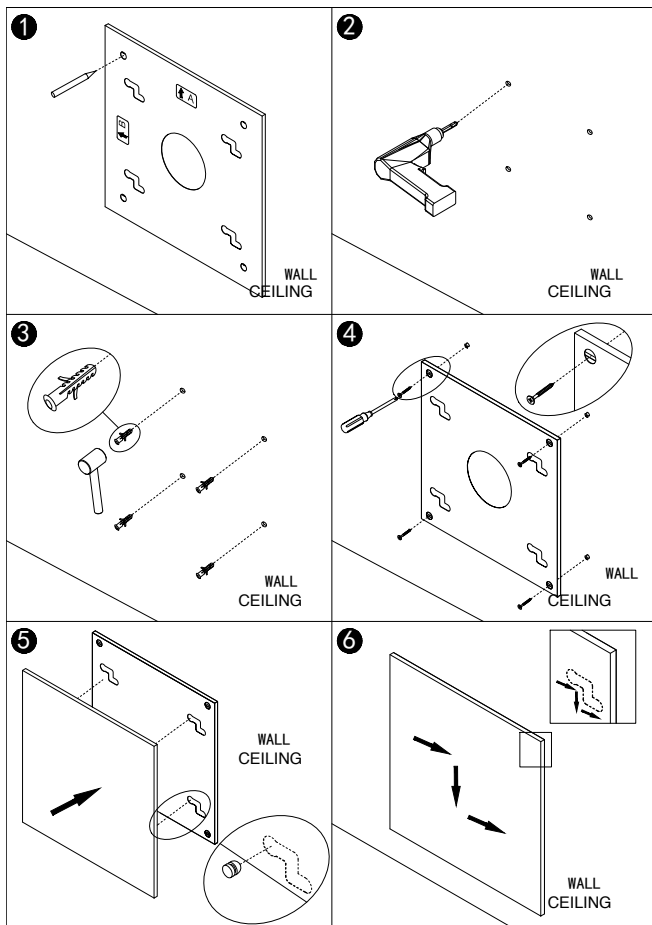
Korak 4. Pričvrstite priložene vijke na zid.

Korak 5. Postavite ploču na vijke.

Korak 6. Pomjerajte ploču na desnu ili lijevu stranu dok nije sigurno pričvršćena.

5.5 Instalacijski priručnik za serije IC-Plus/GD-Plus/MD-Plus

Komplet koji se isporučuje u paketu namijenjen je za ugradnju na čvrst zid / strop. Ako se montiranje vrši na drugim vrstama zidova/stropova, trebat će vam odgovarajuće spojke (nisu dio paketa koji se isporučuje). Provjerite je li zid/strop siguran za montiranje. Izričito preporučujemo da ploču instalira kvalificirani električar ili instalater ovlaštene od strane tvrtke Sundirect. Molimo Vas da imate na umu da su serije GD-Plus / MD-Plus namjenjene isključivo za zidnu montažu, nemojte ih montirati na strop.



Korak 1. Koristite isporučeni montažni nosač za označavanje mjesta za

rupice na zidu / stropu. Kod vertikalnog montiranja na zid, oznaka "A" je na vrhu montažnog nosača. Kod horizontalnog montiranja na zid, oznaka "B" je na vrhu montažnog nosača.

Korak 2. Izbušite rupice pomoću 8 mm bušilica. Korak 3. Umetnite tiple u rupice.

Korak 4. Pričvrstite vijke u tiple kroz rupice na montažnom nosaču.

Korak 5. Postavite ploču na montažni nosač.

Korak 6. Pomjerajte ploču na desnu ili lijevu stranu dok nije sigurno pričvršćena.

5.6 Električno povezivanje

Instalaciju i električno povezivanje može obavljati isključivo stručno osoblje kao što su električari. Kod ožičenja ove ploče moraju se uzeti u obzir nacionalni standardi električne sigurnosti. Ovo je IEC zaštita klase 1 i mora biti uzemljena.

Provjerite je li struja isključena prije nego što počnete instalaciju kod električnog povezivanja. Sva fiksna ožičenja izvan grijača koja dolaze u dodir s grijačem moraju imati zaštitnu oblogu otpornu na toplinu od najmanje 90 ° C. Provjerite da se kabeli ne umotavaju i da ne postoji višak kabela iza grijalice. Duljina kabela treba točno odgovarati potrebnoj izmjerenoj duljini. Nemojte spajati grijač koji je na bilo koji način oštećen na električnu mrežu. Prije instalacije provjerite jesu li grijač, kabel i utikač potpuno bez oštećenja. Ako ste u nedoumici, kontaktirajte svog lokalnog S undirect prodavača i zatražite pomoć.

6. Tehničke specifikacije

Model	Snaga	Veličina	Težina	Smještaj	Ugrađeni termostatski prijemnik	IP zaštita
PE350-Plus	350W	60*60cm	4.1Kg	Zid /Strop	Da	IPX2
PE380-Plus	380W	30*120cm	4.3Kg	Zid /Strop	Da	IPX2
PE540-Plus	540W	60*90cm	6.0Kg	Zid /Strop	Da	IPX2
PE700-Plus	700W	60*120cm	7.8Kg	Zid /Strop	Da	IPX2
PE1000-Plus	1000W	85*120cm	11.4Kg	Zid /Strop	Da	IPX2
IC400-Plus	400W	60*60cm	8.0Kg	Zid /Strop	Da	IPX2
IC700-Plus	700W	62*98cm	13.8Kg	Zid /Strop	Da	IPX2
IC900-Plus	900W	68*123cm	18.0Kg	Zid /Strop	Da	IPX2
IC1100-Plus	1100W	63*153cm	20.0Kg	Zid /Strop	Da	IPX2
GD400-Plus	400W	66*66cm	12.4Kg	Samo zid	Da	IP44
GD600-Plus	600W	60*100cm	16.4Kg	Samo zid	Da	IP44
GD800-Plus	800W	70*130cm	24.1Kg	Samo zid	Da	IP44
MD300-Plus	300W	66*66cm	12.4Kg	Samo zid	Da	IP44
MD450-Plus	450W	60*100cm	16.4Kg	Samo zid	Da	IP44
MD650-Plus	650W	70*130cm	24.1Kg	Samo zid	Da	IP44

7. Garancija

Sundirect pruža petgodišnju tvorničku garanciju za grijaču ploču i dvogodišnju garanciju na nadzorni sustav (Smart 1.0/ Smart1.0 Pro itd.).

Serijski broj možete pronaći na posljednjoj stranici ovog korisničkog priručnika. Molimo vas da sačuvate ovaj priručnik u slučaju budućih reklamacija. U okviru garantnog roka od datuma kupnje, Sundirect će popraviti ili zamijeniti vaš grijač u slučaju da je kvar nastao zbog nedostataka u izradi ili materijalu. Molimo da se obratite vašem lokalnom Sundirect prodavaču u slučaju reklamacije i vratite grijač zajedno s dokazom o kupnji. Garancija pokriva samo popravak ili zamjenu grijača. Uklanjanje serijskog broja na poledini Smart1.0 također će poništiti ovu garanciju. Nijedna oznaka se ne smije ukloniti. Oštećenja na Smart1.0 koje uzrokuje sam korisnik nisu obuhvaćena ovom garancijom. To obuhvaća i ogrebotine na površini. Sundirect nije odgovoran za bilo kakvu štetu, gubitke ili ozljede nastale uslijed ulaska vode ili vlage, slučajnih oštećenja, pogrešnog rukovanja, vanjskih utjecaja, popravki ili prilagodbi vršenih od strane neovlaštenih osoba.

1. A Vásárló figyelmébe
2. Általános bevezető
3. Biztonsági szabályok
 - 3.1. Biztonsági óvintézkedések a termékekkel kapcsolatban
 - 3.2. A gyermekeket és a fogyatékkal élőket fenyegető veszélyek
 - 3.3. Elektromos biztonsági szabályok
 - 3.4. Vízállóság
4. Hogyan bánjunk a Sundirect fűtőkészülékkel
 - 4.1. Tisztítás
 - 4.2. Használat / üzemeltetés
 - 4.3. Javítás
 - 4.4. Leselejtezés
5. Telepítési és üzemeltetési útmutató
 - 5.1. A fűtőkészülék leírása
 - 5.2. Párosítás a Sundirect Smart távirányítóval
 - 5.3. Megkerülő üzemmód
 - 5.4. Telepítési utasítások PE-Plus szériájú fűtőkészülékekhez
 - 5.5. Telepítési utasítások IC-Plus|GD-Plus|MD-Plus szériájú fűtőkészülékekhez
 - 5.6. Bekötés az elektromos hálózatba
6. Műszaki specifikációk
7. Garancia

1. A Vásárló figyelmébe

Köszönjük, hogy megvásárolta ezt a Sundirect infravörös fűtőkészüléket! Reméljük, örömet leli majd az innovatív technológiában, amelynek révén termékünk hozzájárul otthona kellemes légkörének megteremtéséhez.

Kérjük, figyelmesen olvassa végig ezt a kézikönyvet, és későbbi használatra tartsa biztos helyen. Az utasítások be nem tartása esetén a garancia érvényét veszti. A terméket tilos szétszerelni vagy házát megbontani. Kérjük, szenteljen különös figyelmet a biztonsági szabályoknak, és mindig a jelen kézikönyvben olvasható utasításoknak megfelelően használja a fűtőkészüléket. A Sundirect Technology Ltd. nem felel az utasítások be nem tartására vissza-vezethető károkért vagy veszteségekért.

2. Általános bevezető

A Sundirect infravörös fűtőkészülékei nem a levegőt, hanem a tárgyakat melegítik fel, ezáltal az ilyen fűtőkészülékek jóval hatékonyabbak a hagyományos fűtőtesteknél.

Az infrapaneles fűtőkészülékek új generációját képviselő Sundirect Plus széria tagjai a termosztáthoz tartozó, beépített vevőegységgel is fel vannak szerelve, amely a fűtőpanel hátoldalán található csatlakozódobozban kapott helyet (cikkszám: Receiver 01). A 2009/125/EK sz. uniós irányelv környezettudatos tervezésre vonatkozó előírásainak teljesülése érdekében a termosztát vevőegységét egy Sundirect gyártmányú távirányítóval – Smart 1.0 vagy Smart 1.0Pro (a szállítási készlet NEM tartalmazza) – együtt kell használni.

A Smart 1.0 távvezérlő a következő szolgáltatásokat nyújtja:

* 7 napos program, napi 4 időzóna

* Adaptív indítás

A Smart 1.0Pro távirányító, amely a Smart 1.0 továbbfejlesztett változata, a következő szolgáltatásokkal bír:

* 7 napos program, napi 4 időzóna

* „Nyitott ablak” technológia

* Adaptív indítás

* Távírányítás lehetősége mobil applikációval

A Smart 1.0/Smart 1.0Pro távirányítóra vonatkozó részletes specifikációkat és utasításokat külön kézikönyv tartalmazza.

A jelen termék megfelel az:

LVD 2014/35/EU

EMC 2014/30/EU

EN60335-1:2012+A11:2014

EN60335-2-30:2009+A11:2012

EN62233:2008

Rohs 2011/65/EU

RED2014/53/EU

Mielőtt belekezdene a telepítési munkálatokba, figyelmesen olvassa el ezt a Telepítési és használati utasítást, és későbbi felhasználásra őrizze meg.



3. Biztonsági szabályok

A TŰZ-, ÁRAMÜTÉS- ÉS SÉRÜLÉSVESZÉLY CSÖKKENTÉSE ÉRDEKÉBEN TARTSA BE AZ ALÁBBI SZABÁLYOKAT:

3.1. Biztonsági óvintézkedések a termékekkel kapcsolatban

- A falra szerelhető Sundirect infravörös fűtőkészülékek felszíni hőmérséklete működés közben 95°C körül van. Bekapcsolt állapotában TILOS a készüléket megérinteni.
- A készülék tartós érintése égési sérülést okozhat.
- TILOS a készüléket bármivel letakarni. A letakarás túlmelegedést és tüzet okozhat.
- A készüléket NEM tanácsos ruhaszártásra használni. Tilos bármilyen tárgyat ráhelyezni vagy nekitámasztani.
- A panel homlokfelülete legalább 40 cm-re, oldalai legalább 20 cm-re legyenek a szomszédos tárgytól, faltól vagy mennyezettől, ellenkező esetben a fűtőkészülék mögött megemelkedhet a hőmérséklet, ami a garancia érvénytelenítését vonja maga után.
- A fűtőkészülék mennyezetre szerelése esetén a légáramlat biztosítása és a készülék túlmelegedésének elkerülése érdekében legalább 2 cm távolságot kell tartani a mennyezettől.
- Ha mennyezeti rácszatba építi be a fűtőkészüléket, a túlmelegedés elkerülése érdekében ügyeljen arra, hogy ne helyezzen szigetelőanyagot közvetlenül a fűtőpanel hátoldalára.

3.2. A gyermekeket és a fogyatékkal élőköt fenyegető veszélyek

- Gyermekeknek vagy korlátozott fizikai, érzékelő- vagy mentális képességekkel rendelkező személyeknek tilos a fűtőkészüléket működtetni, bekapcsolni, csatlakoztatni, szabályozni és tisztítani.
- Kisgyermek csak állandó felügyelet mellett tartózkodhatnak a készülékkel fűtött helyiségben.
- NE működtesse a fűtőkészüléket olyan, kisebb helyiségben, ahol azt önállóan elhagyni képtelen személyek laknak életvitel-szerűen. A fűtőkészülék felszíni hőmérséklete elérheti a 95°C-ot, ezért a gyermekek és a fogyatékkal élő személyek távol tartandók tőle.
- A fulladásveszély elkerülése érdekében a csecsemőket és kisgyermekeket tartsa távol mindennemű csomagolóanyagtól, például műanyag zacskóktól.

3.3 Elektromos biztonsági szabályok

- Telepítés, javítás vagy karbantartás előtt a fűtőkészüléket ki kell kapcsolni, és leválasztani az elektromos hálózatról. A telepítést megelőzően ellenőrizze, hogy a fűtőkészüléken nincsenek-e sérülések.
- Ha a fűtőkészülék vagy csatlakozózsínörja sérült, NE használja a készüléket, hanem forduljon Sundirect márkakereskedőjéhez, és kérjen javítást vagy cserét. Mindennemű javítást, karbantartást vagy átalakítást egy meghatalmazott Sundirect márkakereskedő útján kell elvégeztetni.
- NE próbálja önállóan megjavítani a fűtőkészüléket, mert ezáltal a garancia érvényét veszti.
- Ha a fűtőkészülék leesett, TILOS használatba venni. Ilyenkor forduljon Sundirect márkakereskedőjéhez, és ellenőriztesse, hogy a készülékben történt-e károsodás.
- Ha a GD-Plus/MD-Plus szériába tartozó fűtőkészüléken bármilyen sérülést szenvedett a biztonsági üveg, a lehető leghamarabb szerelje le a készüléket, hogy az esetlegesen lehulló üveg ne okozhasson személyi sérülést.
- A Sundirect fűtőkészülékek 220-240V-os, 50Hz-es váltakozó áramú hálózati feszültségről működtethetők. Ha a rendelkezésre álló hálózat nem teljesíti ezeket a paramétereket, TILOS a fűtőkészüléket arról működtetni.

3.4. Vízállóság

A Sundirect különféle típusú infravörös fűtőkészülékei különféle IP védettségi fokozattal rendelkeznek. Ügyeljen arra, hogy párás helyiségben csakis IP44 védettségű fűtőkészüléket használjon. Az IPX2 fokozatú fűtőkészülékek nem alkalmasak pl. fürdőszobában történő telepítésre. Kérjük, hogy a specifikáció gondos ellenőrzésével győződjön meg arról, hogy fűtőkészüléke alkalmas-e párás helyiségben történő felszerelésre.

Ez a fűtőkészülék kültéri telepítésre nem alkalmas. Párás helyiségben csak szakképzett villanyszerelő / telepítési szakember végezheti a telepítést a helyi elektromos biztonsági követelményeknek megfelelően. Párás helyiségben úgy kell rögzíteni a készüléket, hogy semmiképpen ne eshessen vizes medencébe. Tilos a készülékre vizet önteni vagy azt vizes medencébe helyezni. A telepítőnek gondoskodnia kell arról, hogy zuhanyfülkében / fürdőkádban / fürdőmedencében, stb. tartózkodó személy ne érhesse el a csatlakozókat és elektromos kezelőszerveket.

A Sundirect nem felel a szakszerűtlen felszerelésre vagy a rendeltetésükből fakadóan vizes helyekhez közeli, hibás elhelyezésre visszavezethető sérülésekért vagy károkért.

4. Hogyan bánjunk a Sundirect fűtőkészülékkel

4.1. Tisztítás

Tisztítás előtt mindig húzza ki a csatlakozózsínort a hálózati aljzatból, és hagyja a készüléket teljesen lehűlni. Tilos a készüléket vízbe meríteni vagy vizet fröcskölni rá. Tisztítsa puha, enyhén nedves törülköendővel. Az üvegpaneles típusok, mint a GD, MD és RC széria tagjai puha kendővel és ablaktisztító szerrel tisztíthatók. Kerülje a lucskos törülköendők használatát, és tisztítás után törölje szárazra a fűtőkészüléket. A súrolószerek, oldószerek és durva szivacsok használata tilos, mert ezek összekarcolhatják a felületet, vagy másfajta, helyrehozhatatlan kárt tehetnek benne. Az újbóli üzembe helyezés előtt a fűtőkészüléknek tökéletesen meg kell száradnia.

4.2. Használat / üzemeltetés

Tartsa észben, hogy a fűtőkészülék elszíneződhet a használattól. Ez a légszennyezettség következménye, nem minősül hibának. Ha képes nyomattal szeretné ellátni saját meglévő fűtőkészülékét, forduljon a Sundirect egyik márkakereskedőjéhez. Ne ragasszon képes fóliát a készülék felületére, tovább ne fessen vagy nyomtasson rá semmit, mert ezzel kárt tehet a fűtőelemben, és az ilyen cselekedet a garancia érvénytelenítését vonja maga után.

Kérjük, hogy ha bárminemű zajt, szagot, látható elváltozást vagy rendellenesen magas hőmérsékletet tapasztal, szüntesse be a készülék használatát, és forduljon a Sundirect egyik meghatalmazott márkakereskedőjéhez.

4.3. Javítás

A Sundirect meghatalmazott márkakereskedéseinek vagy közvetlenül a Sundirectnek kell megbízást adni a javításokra. Ha a felhasználó ön maga próbálja átalakítani vagy megjavítani a terméket, a garancia érvényét veszti.



4.4. Leselejtesés

A Sundirect infravörös fűtőkészülékei elektromos berendezések, ennél fogva elektromos hulladéknak minősülnek. Kérjük, hogy az elhasznált fűtőkészülék leselejtezésekor az elektromos hulladékokra vonatkozó helyi rendelkezéseknek megfelelően járjon el.

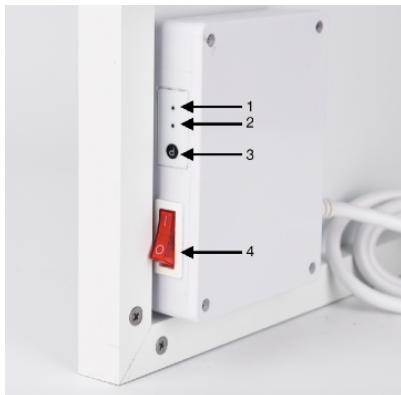
5. Telepítési és üzemeltetési útmutató

5.1. A fűtőkészülék leírása

A panel hátoldalán a fűtőkészülék fel van szerelve a termosztáthoz tartozó, beépített vevőegységgel - Receiver01. Javasoljuk, hogy első lépésként még a telepítés előtt párosítsa a vevőegységet a távirányító egységgel. A Smart távirányító (pl. Smart 1.0 vagy Smart 1.0Pro) párosítását az alábbiakban ismertetett lépésekben kell elvégezni.

A jobb oldali képen a Receiver01 vevőegység jelzőlámpái és nyomógombja látható.

- 1) Párosítás állapotjelzője (zöld lámpa)
- 2) Tápfeszültség állapotjelzője (piros lámpa)
- 3) "P" gomb
- 4) Tápfeszültség-kapcsoló



5.2. Párosítás a Sundirect Smart távirányítóval

1. lépés: Dugja be a fűtőkészülék csatlakozóját a hálózati aljzatba, kapcsolja fel a Receiver01 vevőegység tápfeszültség-kapcsolóját, és nyomja meg kétszer a "P" gombot. Ekkor villogni kezd a párosítás állapotjelzője, és a vevőegység készen áll a párosításra.

2. lépés: A Smart 1.0/Smart 1.0Pro távirányító kikapcsolt állapotában tartsa hosszan lenyomva a „SET” (=beállítás) gombot, mire a távirányító képernyőjén megjelenik a „PAIR” (=párosítás) felirat. Várja meg, hogy a párosítás állapotjelző lámpája abbahagyja a villogást, és zöld fénnel folyamatosan világítson, ami a párosítás befejezését jelzi. A párosítási folyamat végeztével a Receiver01 vevőegységet csak a Smart 1.0/Smart 1.0Pro távirányítóról lehet vezérelni.

Megjegyzés: Miután lezárult a Receiver01 vevőegység és a Smart 1.0/Smart 1.0Pro távirányító párosítása, a párosítás állapotjelző lámpája folyamatosan világít, és a Receiver01 vevőegység kizárólag a Smart 1.0/Smart 1.0Pro távirányítóval vezérelhető. Adott Receiver01 vevőegység csak egy Smart1.0/Smart1.0 Pro távirányítóval párosítható, egyetlen Smart 1.0/Smart 1.0Pro távirányító azonban több, ugyanabban a helyiségben telepített Receiver01 vevőegységnek lehet a párja.

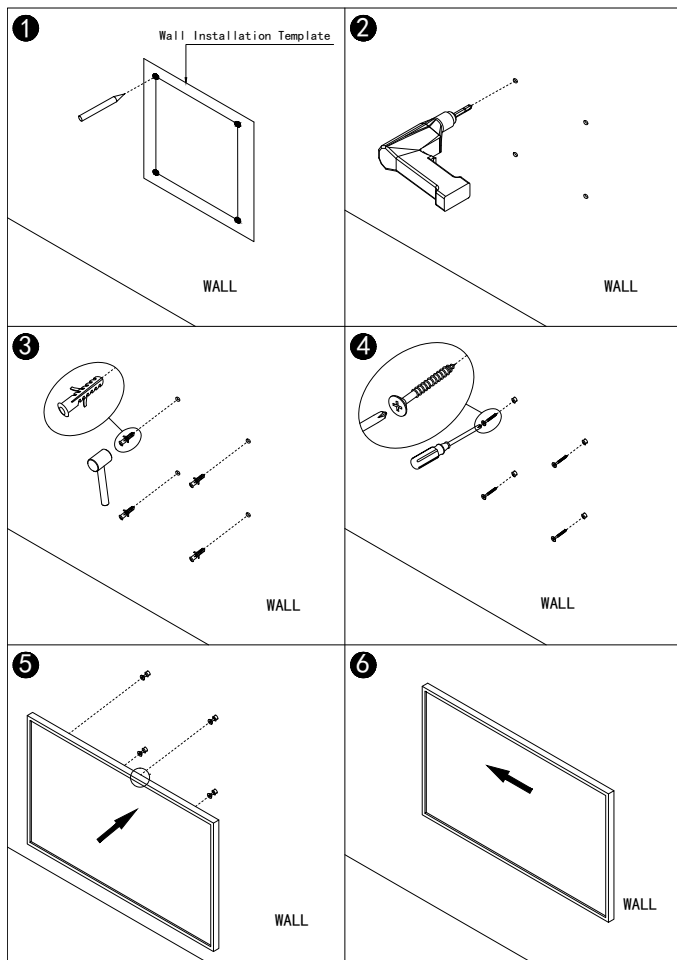
5.3. Megkerülő üzemmód

Tartsa hosszan benyomva a Receiver01 vevőegység „P” gombját, amíg a párosítás állapotjelző lámpája ki nem alszik, és világítani nem kezd a tápfeszültség állapotjelzője, jelezve, hogy a fűtőpanel visszaállt megkerülő üzemmódba. Megkerülő üzemmódban a Receiver01 vevőegység ki van iktatva, a fűtőpanel pedig közvetlenül csatlakozik az elektromos hálózathoz.

5.4 Telepítési utasítások PE-Plus szériájú fűtőkészülékekhez

Megjegyzés: A csomagban megtalálható kellékek tömör falra történő szerelésre szolgálnak. Ettől eltérő típusú falfelülethez speciális rögzítő elemek szükségesek (ilyeneket a csomag nem tartalmaz). Ellenőrizze, hogy a fal kellően szilárd-e szerelési felületnek. A fűtőpanel telepítését szakképzett villanszerelővel vagy a Sundirect által meghatalmazott telepítési szakemberrel ajánlott elvégeztetni.

Ha a szériához tartozó fűtőpaneleket mennyezetre szeretné felszereltetni, a megfelelő mennyezeti szerelőkeret beszerzése érdekében forduljon Sundirect márkakereskedőjéhez. A PE380-Plus típushoz BC005-ös szerelőkeretre, az összes többi típushoz BC004-es szerelőkeretre lesz szüksége. A BC004-es/BC005-ös szerelőkeret saját szállítási készletében külön szerelési utasítások találhatóak.

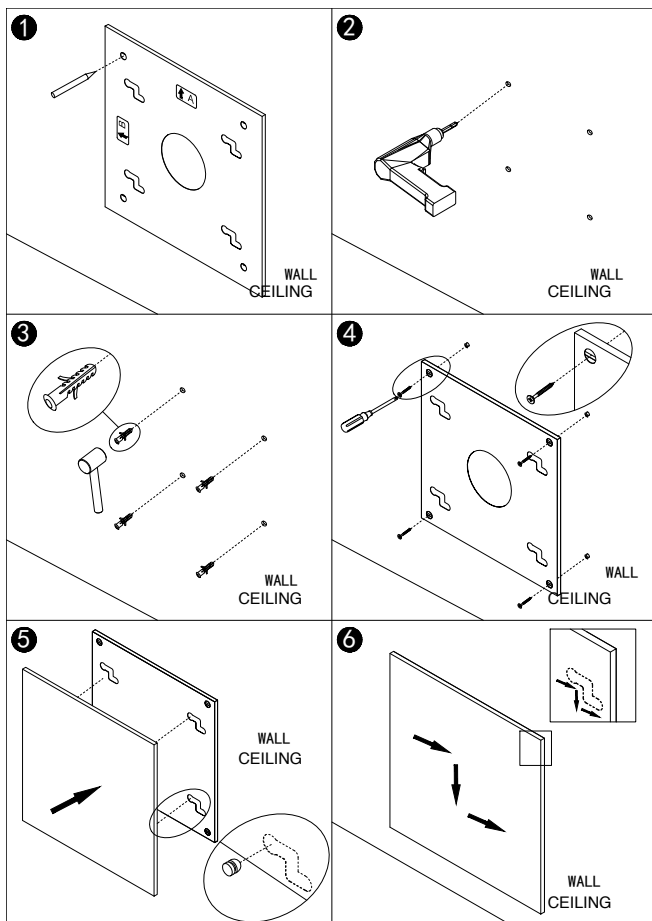


1. lépés: A készletbe tartozó sablon segítségével jelölje be a falon a furatok helyét.
2. lépés: Egy 8mm-es fúróhegygel készítse el a furatokat.
3. lépés: Illessze be a tipliket a furatokba.
4. lépés: Tekerje be a készlethez tartozó csavarokat a falba.
5. lépés: Helyezze fel a panelt a csavarokra.
6. lépés: Jobbra vagy balra mozgatással rögzítse a panelt a helyén.

5.5 Telepítési utasítások IC-Plus/GD-Plus/MD-Plus szériájú fűtőkészülékekhez

Megjegyzés: A csomagban megtalálható kellékek tömör falra / mennyezetre történő szerelésre szolgálnak. Ettől eltérő típusú falfelülethez / mennyezethez speciális rögzítő elemek szükségesek (ilyeneket a csomag nem tartalmaz). Ellenőrizze, hogy a fal / mennyezet kellően szilárd-e szerelési felületnek. A fűtőpanel telepítését szakképzett villanszerelővel vagy a Sundirect által meghatalmazott telepítési szakemberrel ajánlott elvégeztetni.

Figyelem! A GD-Plus / MD-Plus szériához tartozó fűtőelemek csak falra szerelhetők fel, mennyezetre nem telepíthetők.



1. lépés: A készletbe tartozó szerelőkeret segítségével jelölje be a falon a furatok helyét. A fűtőpanel álló helyzetű felszerelése esetén az A-val, fekvő helyzetű felszerelése esetén a B-vel jelölt oldal lesz a szerelőkeret teteje.
2. lépés: Egy 8mm-es fúróhegygel készítse el a furatokat.
3. lépés: Illessze be a tipliket a furatokba.
4. lépés: A szerelőkeretben kialakított lyukakon keresztül tekerje be a csavarokat a tiplikbe.
5. lépés: Helyezze fel a fűtőpanelt a szerelőkeretre.
6. lépés: A szilárd rögzítéshez mozgassa el a fűtőpanelt két irányban.

5.6 Bekötés az elektromos hálózatba

A telepítést és elektromos bekötést megfelelő szakemberrel, például villanszerelővel tanácsos elvégeztetni. A fűtőpanel bekötésénél figyelembe kell venni az adott országban érvényes elektromos biztonsági szabványok előírásait. Az IEC előírások értelmében ez a készülék az 1. érintésvédelmi osztályba tartozik, földelni kötelező.

Állandó bekötés létesítése esetén a telepítés megkezdése előtt gondoskodjon arról, hogy a hálózati tápfeszültség le legyen kapcsolva. A fűtőkészüléken kívül elvezetett, de a készülékkel érintkezésben lévő, rögzített kábelnek legalább 90°C-ig hőálló szigetelőcsőben kell haladnia. Ügyeljen rá, hogy a kábelek ne tekeredjenek meg, és a kábel ne lógjon túl a fűtőkészülék mögött. A kábelt pontosan ki kell mérni a szükséges hosszúságra. Sérült fűtőkészüléket az elektromos hálózathoz csatlakoztatni tilos. A telepítés megkezdése előtt győződjön meg a fűtőkészülék, a kábel és a dugós csatlakozó tökéletes épségéről. Bizonytalanság esetén kérjen segítséget a Sundirect legközelebbi márkakereskedőjétől.

6. Műszaki specifikációk

A jelen kézikönyv utasításai az alábbi táblázatban felsorolt fűtőpanelekre érvényesek.

Típus	Teljesítmény	Méret	Súly	Felszerel- hetőség	Beépített vevőegység termosztáthoz	IP érintés- védelmi fokozat
PE350-Plus	350W	60*60cm	4.1Kg	Falra/ mennyezetre	Van	IPX2
PE380-Plus	380W	30*120cm	4.3Kg	Falra/ mennyezetre	Da	IPX2
PE540-Plus	540W	60*90cm	6.0Kg	Falra/ mennyezetre	Da	IPX2
PE700-Plus	700W	60*120cm	7.8Kg	Falra/ mennyezetre	Da	IPX2
PE1000-Plus	1000W	85*120cm	11.4Kg	Falra/ mennyezetre	Da	IPX2
IC400-Plus	400W	60*60cm	8.0Kg	Falra/ mennyezetre	Da	IPX2
IC700-Plus	700W	62*98cm	13.8Kg	Falra/ mennyezetre	Da	IPX2
IC900-Plus	900W	68*123cm	18.0Kg	Falra/ mennyezetre	Da	IPX2
IC1100-Plus	1100W	63*153cm	20.0Kg	Falra/ mennyezetre	Da	IPX2
GD400-Plus	400W	66*66cm	12.4Kg	Csak falra	Da	IP44
GD600-Plus	600W	60*100cm	16.4Kg	Csak falra	Da	IP44
GD800-Plus	800W	70*130cm	24.1Kg	Csak falra	Da	IP44
MD300-Plus	300W	66*66cm	12.4Kg	Csak falra	Da	IP44
MD450-Plus	450W	60*100cm	16.4Kg	Csak falra	Da	IP44
MD650-Plus	650W	70*130cm	24.1Kg	Csak falra	Da	IP44

7. Garancia

A Sundirect a fűtőpanelek esetében 5 éves, a vezérlő rendszer (többek között a Receiver01 vevőegység, a Smart 1.0/Smart 1.0Pro távirányító, stb.) esetén pedig 2 éves garanciát vállal a termék gyártási hibáktól való mentességére.

A gyártási szám a jelen felhasználói kézikönyv utolsó oldalán található. Kérjük, hogy a későbbi garanciális igények esetére mindenképpen őrizze meg ezt a kézikönyvet.

A vásárlás napjától számított garanciális időn belül a Sundirect a gyártási vagy anyaghibák okozta meghibásodások esetén javítja meg vagy cseréli ki az Ön fűtőkészülékét. Garanciális igény esetén vegye fel a kapcsolatot Sundirect márkakereskedőjével, és a vásárlást igazoló dokumentummal együtt juttassa vissza a fűtőkészülékét.

A garancia csak a fűtőkészülék javítására vagy cseréjére terjed ki, és a Sundirect sem az egyéb - pl. telepítési - költségekért, sem a bármilyen módon felmerülő, egyéb következményes károkért nem felel. Kérjük, ne feledkezzen meg arról, hogy a fűtőkészülék bármilyen átalakítása vagy megbontása a garancia érvénytelenítését vonja maga után. A garancia a fűtőkészülék hátoldalán található gyártási szám eltávolítása esetén is érvényét veszti. A fűtőkészülék hátoldaláról semmilyen címket nem szabad levenni.

A garancia érvénye nem terjed ki a felhasználó által a fűtőkészülékben okozott károkra, a homlokfelületen vagy a kereten ejtett karcolásokat is ideértve. A Sundirect nem tartozik felelősséggel a készülék belsejébe behatoló víz vagy nedvesség, a baleseti kár, a rossz bánásmód, a külső behatás, az illetéktelen személyek által végzett javítás vagy szerelés, illetve a jelen kézikönyvben előírt, indokolt biztonsági, karbantartási és telepítési szabályok betartásának elmulasztása okozta károsodásokért, veszteségekért vagy személyi sérülésekért.

ErP

Information requirement for the electric local space heaters

Models: PE-Plus/IC-Plus/GD-Plus/MD-Plus + Smart1.0/Smart1.0 Pro

Item	Symbol	Value	Unit	Item	Unit
Heat output				Type of heat input, for electric storage local space heaters only(Select one)	
Nominal heat output	Pnom	0.27-1.1	kW	manual heat charge control, with integrated thermostat	No
Minimum heat output(indicative)	Pmin	0,0	kW	manual heat charge control with room and/or outdoor temperature feedback	No
Auxiliary electricity consumption				fan assisted heat output	No
At nominal heat output	elmax	0.27-1.1	kW	Type of heat output/room temperature control(select one)	
At minmum heat output	elmin	0,0	kW	Single stage heat output and no room temperature control	No
In Standby mode	eISB	0.001	kW	two or more manual stages, no room temperature control	No
				with mechanic thermostat room temperature control	No
				with electronic room temperature control	No
				electronic room temperature control plus day timer	No
				electronic room temperature control plus week timer	Yes
				Other control options(multiple selection possible)	
				room temperature control, with presence detection	No
				room temperature control, with open window detection	No
				with distance control option	No
				with adaptive start	Yes
				with working time limitation	No
				with black bulb sensor	No

Contact details: Sundirect Technology Ltd.
Unit 1203, 12/F, Sam Cheong Building
216-220 Des Voeux Road Central, Hong Kong / China

Serial Number of this Sundirect infrared heater is

Sundirect Technology Ltd.
Unit 1203, 12/F, Sam Cheong Building
216-220 Des Voeux Road Central
Hong Kong / China

Sundirect Logistics Europe
Hofbauer GmbH
Zimmerweg 4, 6020 Innsbruck
Austria / Europe

info@sundirect-heater.com
www.sundirect-heater.com
© 2018 Sundirect Technology Ltd.